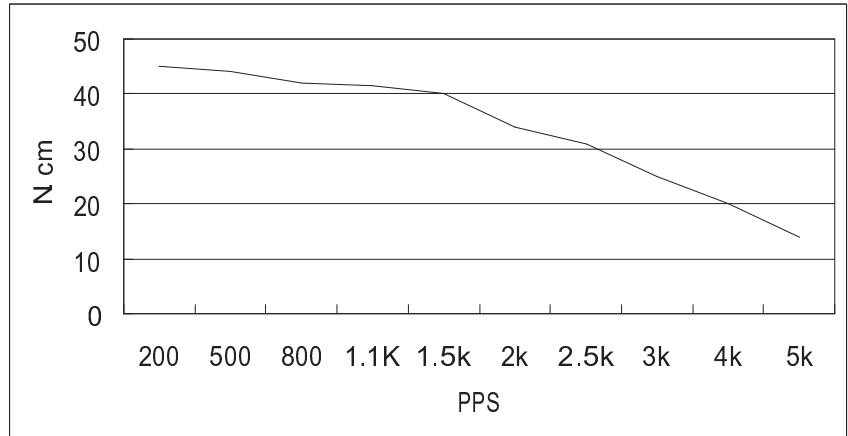


HIGH TORQUE HYBRID STEPPING MOTOR SPECIFICATIONS

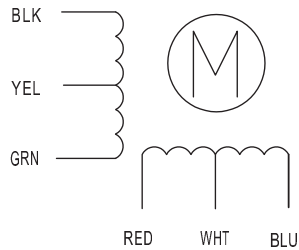
General specifications		Electrical specifications	
Step Angle (°)	1.8	Rated Voltage (V)	4
Temperature Rise (°C)	80 Max (rated current, 2 phase on)	Rated Current (A)	1.2
Ambient temperature (°C)	-20~+50	Resistance Per Phase ($\pm 10\% \Omega$)	3.3 (25°C)
Number of Phase	2	Inductance Per Phase ($\pm 20\% \text{mH}$)	2.8
Insulation Resistance	100M Ω , Min (500VDC)	Holding Torque (Kg.cm)	3.17
Insulation Class	Class B	Detent Torque (g.cm)	200
Max. radial force (N)	28 (20mm from the flange)	Rotor Inertia (g.cm ²)	68
Max. axial force (N)	10	Weight (Kg)	0.365

● Pull out torque curve:

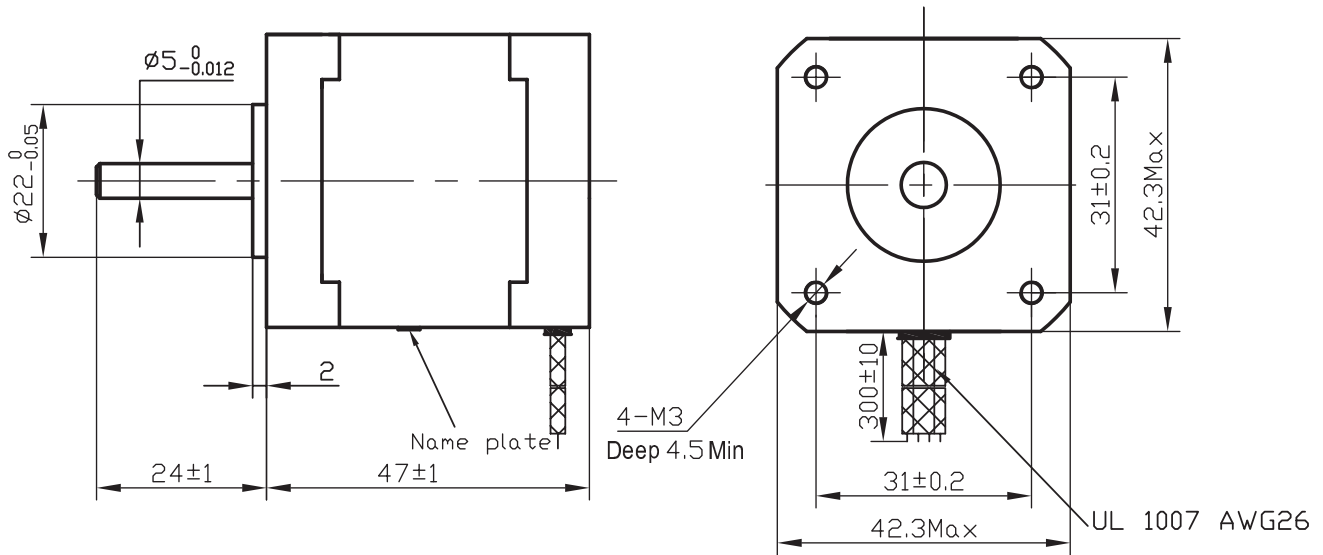
VOLTAGE: 24VDC, CONSTANT CURRENT: 1.2A, HALF STEP



● Wiring Diagram:



● Dimensions: (unit=mm)



					<h3>SY42STH47-1206A</h3>	TECHNICAL CONDITIONS
REV	REVISIONS	DESCRIPTION	BY	DATE		
DRAW	任飞飞	2010.06.29			CHANGZHOU SONGYANG MACHINERY & ELECTRONICS NEW TECHNIC INSTITUTE	<h2>060047000</h2>
CHECK						
APPROVE						