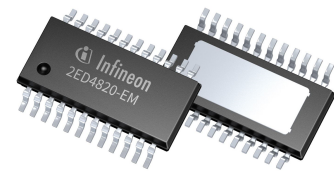


EiceDRIVER™ APD 2ED4820-EM

48 V smart high-side MOSFET gate driver with SPI

Features

- Extended supply voltage range: 20 - 70 V
- Two independent high-side gate driver outputs
- 1 A pull down, 0.3 A pull up for fast switch off/on
- Device control, configuration and diagnostic via SPI
- Low supply current in sleep mode $I_{BAT_Q} < 5 \mu A$
- Supports back-to-back MOSFET topologies (common drain and common source)
- One bidirectional high or low-side analog current sense interface with configurable gain
- Configurable overcurrent/short circuit protection
- Gate undervoltage lock-out
- Safe state mode (both channels OFF) activated by direct input pin
- Ground loss detection



Package	Marking
PG-TSDSO-24	2ED4820-EM

Potential applications

- 48 V battery protection switch
- 48 V input protection switch for DCDC converters, motor control unit etc.
- 48 V relay and fuse replacement

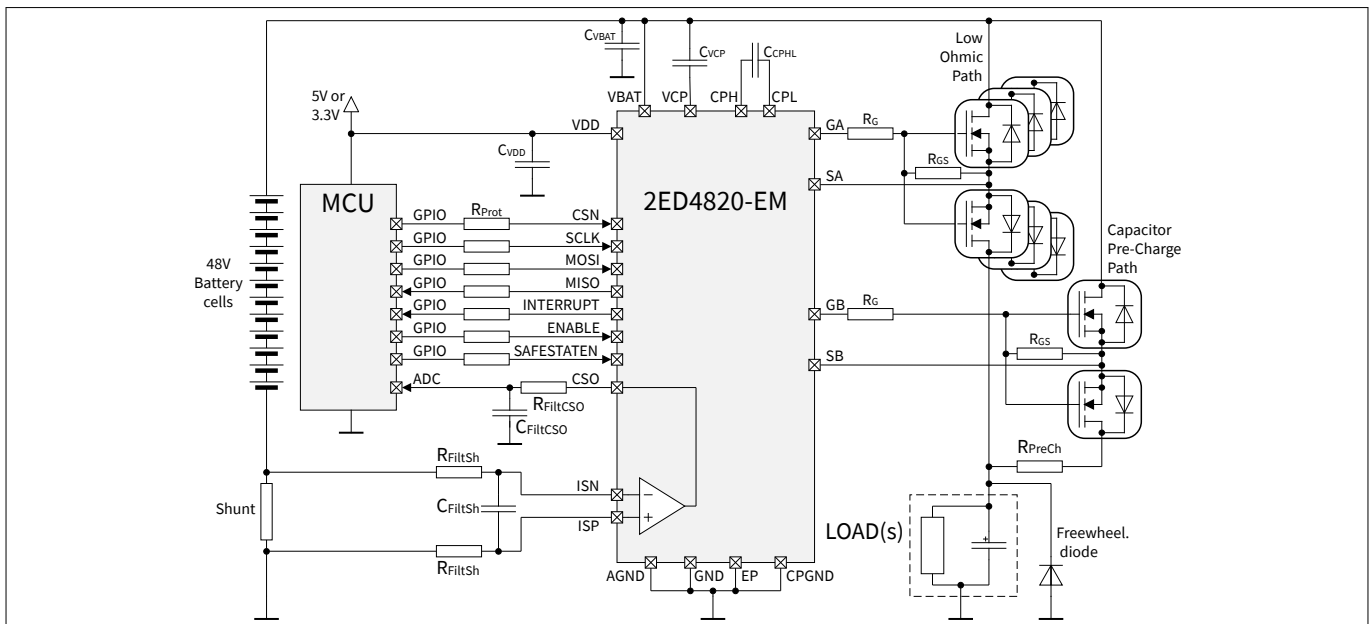


Figure 1 48 V battery main switch application diagram

Product validation

Qualified for automotive applications. Product validation according to AEC-Q100 grade 1.

Description

Description

2ED4820-EM is a gate driver designed for high current 48 V automotive applications, with powerful gate outputs to drive many MOSFETs in parallel in order to minimize the conduction losses. It supports the back-to-back configuration, both common source and common drain structures, thanks to its two gate outputs.

In common source configuration, one gate output can be used to pre-charge highly capacitive loads.

2ED4820-EM generates the supply for the gate outputs based on an integrated one-stage charge pump with external pump and tank capacitors.

2ED4820-EM comes with an SPI interface, for easy configuration, diagnosis and control.

Several protection mechanisms are provided:

- Supply under- and overvoltage detection with configurable restart timer
- Charge pump undervoltage detection
- Gate to source undervoltage detection with immediate lock-out to prevent linear mode conduction of the MOSFETs
- Configurable drain to source overvoltage detection, which can also be deactivated
- Configurable overcurrent protection based on an analog current sense amplifier compatible for high-side or low-side shunt topologies
- Internal overtemperature warning and protection

An interrupt pin informs the MCU whenever one of these protections is triggered. Status registers can then be read by the MCU to understand what was the trigger for the notification.

The output of the current sense amplifier can be monitored by the MCU to implement additional protections, such as wire overtemperature.

In addition, 2ED4820-EM enables to implement an open load detection mechanism, checking the source voltage of the MOSFETs with respect to ground in the OFF state.

Table of contents

	Features	1
	Potential applications	1
	Product validation	1
	Description	2
	Table of contents	3
1	Block diagram	5
2	Pin configuration	6
3	General product characteristic	8
3.1	Absolute maximum ratings	8
3.2	Functional range	9
3.3	Thermal resistance	10
4	General product description	11
4.1	Power supply	11
4.2	Operation mode	11
4.2.1	Normal mode	11
4.2.2	Sleep mode	11
4.2.3	Safe state mode	11
4.2.4	Reset behavior	12
4.3	Charge pump	12
4.4	Electrical characteristics: supply	13
4.5	Electrical characteristics: digital IOs	13
4.6	Electrical characteristics: charge pump	14
5	High-side gate driver	16
5.1	Channel activation	16
5.2	Channel deactivation	17
5.3	MOSFET driver output	17
6	Protection and monitoring	19
6.1	Monitorings	19
6.1.1	Source voltage monitoring in OFF state	19
6.1.2	Charge pump voltage monitoring	19
6.1.3	SPI address monitoring	19
6.2	Warnings	19
6.2.1	Temperature warning	19
6.2.2	One time programmable (OTP) memory data corruption	19
6.2.3	Ground loss	19
6.3	Failures detection	20

Table of contents

6.3.1	Failure notification and clearing	20
6.3.2	Non-latching failures	20
6.3.2.1	VBAT overvoltage	20
6.3.2.2	VBAT undervoltage	21
6.3.3	Latching failures	21
6.3.3.1	Blank time and filter time for failures detections	21
6.3.3.1.1	Blank time	21
6.3.3.1.2	Filter time	23
6.3.3.2	Drain-source overvoltage	23
6.3.3.3	Gate-source undervoltage	24
6.3.3.4	Channel cross-control	24
6.3.3.5	VDD undervoltage	24
6.3.3.6	VCP undervoltage	24
6.3.3.7	SAFESTATEN activation	24
6.3.3.8	Overtemperature	25
6.3.3.9	Current sense amplifier and overcurrent comparator	25
6.3.3.9.1	Gain configuration	25
6.3.3.9.2	Current sense position	25
6.3.3.9.3	Current sense output load	25
6.3.3.9.4	Overcurrent detection	26
6.3.3.9.5	Electrical characteristics: current sense	26
6.4	INTERRUPT pin control	29
6.5	Electrical characteristics: protection and monitoring	29
7	SPI	33
7.1	Communication start	33
7.2	Communication end	34
7.3	SPI: electrical characteristics: timings	34
7.4	Daisy Chain	35
7.5	SPI Protocol	35
8	Register specification	36
8.1	Control registers	36
9	Application information	40
9.1	48 V battery protection switch with low-side current sense and capacitive pre-charge	40
9.2	Common drain with high-side current sense	41
9.3	Bill of material	41
10	Package	43
	Revision history	44
	Disclaimer	45

1 Block diagram

1 Block diagram

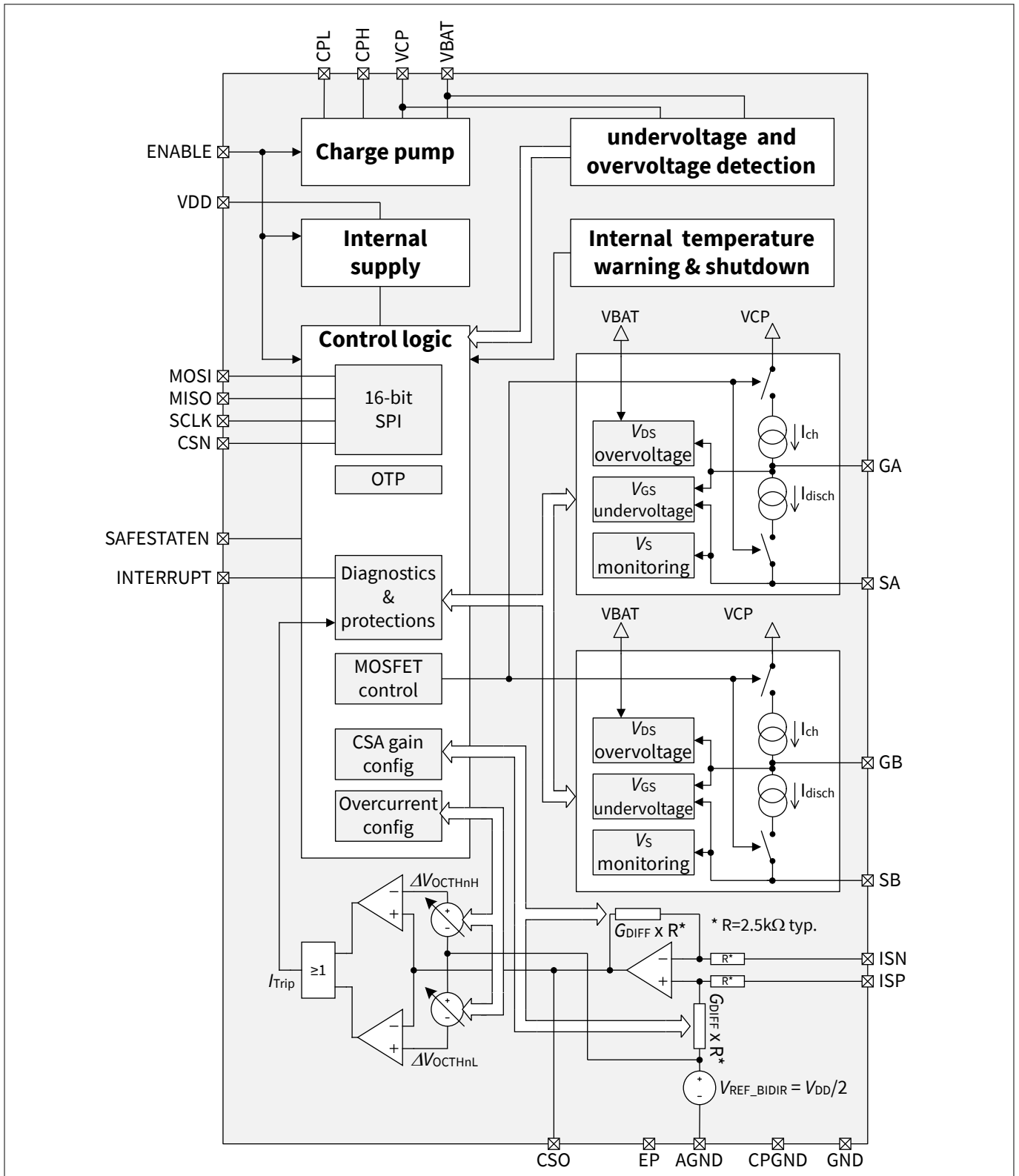


Figure 2 Block diagram

2 Pin configuration

2 Pin configuration

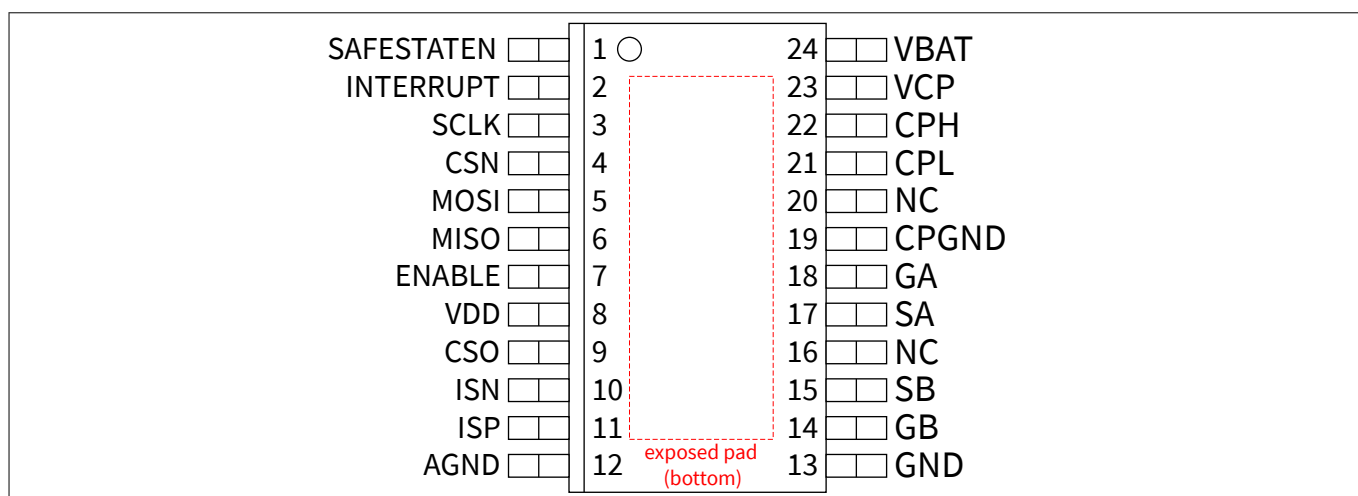


Figure 3 Pin assignment

Table 1 Pin definitions and functions

Pin No.	Function	Symbol	Comment
1	μController	SAFESTATEN	Watchdog connection for safe state mode
2	μController	INTERRUPT	Interrupt signal output
3	SPI	SCLK	SPI clock input with internal pull-down
4	SPI	CSN	Chip select not with internal pull-up
5	SPI	MOSI	Master out slave in with internal pull-down
6	SPI	MISO	Master in slave out
7	μController	ENABLE	Switch device ON/OFF with internal pull-down
8	Supply	VDD	Main supply
9	μController	CSO	Current sense amplifier output
10	V-Sensing	ISN	Negative input for shunt voltage
11	V-Sensing	ISP	Positive input for shunt voltage
12	Supply	AGND	Analog GND
13	Supply	GND	Common usage ground
14	Gate connection	GB	Gate connection to channel B
15	Source connection	SB	Source connection to channel B
16		NC	Not connected
17	Source connection	SA	Source connection to channel A
18	Gate connection	GA	Gate connection to channel A
19	Supply	CPGND	Charge pump GND
20		NC	Not connected
21	ChargePump	CPL	Negative terminal of CP capacitor

(table continues...)

2 Pin configuration

Table 1 (continued) Pin definitions and functions

Pin No.	Function	Symbol	Comment
22	ChargePump	CPH	Positive terminal of CP capacitor
23	ChargePump	VCP	Charge pump output / connection buffer capacitor
24	Supply	VBAT	48 V supply
		E.P.	Exposed pad (for cooling purpose only, do not use as electrical GND)

3 General product characteristic

3 General product characteristic

3.1 Absolute maximum ratings

Unless otherwise specified: $T_J = -40^{\circ}\text{C}$ to $+150^{\circ}\text{C}$; all voltages are referenced to GND.

Table 2 Absolute maximum ratings

Parameter	Symbol	Values			Unit	Note or condition	P-Number
		Min.	Typ.	Max.			
VBAT supply voltage	V_{BAT}	-0.3	–	105	V	1)	PRQ-9
Gate voltage with respect to Source	V_{GX_S}	-0.3	–	18	V	1)	PRQ-11
Gate voltage with respect to VBAT	V_{GX_BAT}	-80	–	18	V	1)	PRQ-10
Gate voltage	V_{GX}	-80	–	V_{CP}	V	1)	PRQ-12
Source voltage	V_{SX}	-90	–	105	V	1)	PRQ-199
Source voltage with respect to VBAT	$V_{\text{SX}_\text{VBAT}}$	-90	–	2	V	1)	PRQ-92
VDD logic supply voltage	V_{DD}	-0.3	–	5.5	V	1)	PRQ-98

Current sense

ISP and ISN voltage	$V_{\text{ISP}}, V_{\text{ISN}}$	-6	–	105	V	1)	PRQ-13
ISP and ISN voltage with respect to VBAT	$V_{\text{ISP}_\text{ISN}_\text{VBAT}}$	-105	–	2	V	1)	PRQ-542
ISP and ISN differential voltage	$V_{\text{ISP}_\text{ISN}_\text{DIFF}}$	-5	–	5	V	1)	PRQ-204
CSO voltage	V_{CSO}	-0.3	–	$V_{\text{DD}}+0.3$	V	1)	PRQ-97

Logic

Logic input voltages (SCLK, CSN, MOSI, SAFESTATEN, ENABLE)	$V_{\text{SCLK}}, V_{\text{CSN}}, V_{\text{MOSI}}, V_{\text{SAFESTATEN}}, V_{\text{ENABLE}}$	-0.3	–	$V_{\text{DD}}+0.3$	V	1)	PRQ-94
Logic output voltages (MISO, INTERRUPT)	$V_{\text{MISO}}, V_{\text{INTERRUPT}}$	-0.3	–	$V_{\text{DD}}+0.3$	V	1)	PRQ-96

Charge pump

Charge pump voltage (VCP)	V_{CP}	-0.3	–	105	V	1)	PRQ-337
Charge pump voltage (VCP) with respect to VBAT	$V_{\text{CP}_\text{VBAT}}$	-0.3	–	18	V	1)	PRQ-400
Charge pump voltage (CPL)	V_{CPL}	-0.3	–	V_{BAT}	V	1)	PRQ-95
Charge pump voltage (CPH)	V_{CPH}	$V_{\text{BAT}}-0.3$	–	$V_{\text{CP}}+0.3$	V	1)	PRQ-261

(table continues...)

3 General product characteristic

Table 2 (continued) Absolute maximum ratings

Parameter	Symbol	Values			Unit	Note or condition	P-Number
		Min.	Typ.	Max.			
Charge pump ground and analog ground voltage	V_{CPGND}, V_{AGND}	-0.3	–	0.3	V	1)	PRQ-205
Temperature							
Junction temperature	T_J	-40	–	150	°C	1)	PRQ-17
Storage temperature	T_{STG}	-55	–	150	°C	1)	PRQ-19
ESD susceptibility							
ESD susceptibility at all pins (HBM)	V_{ESD_HBM1}	-2	–	2	kV	1) 2) HBM	PRQ-20
ESD susceptibility of VBAT pin versus GND (HBM)	V_{ESD_HBM2}	-4	–	4	kV	1) 2) HBM	PRQ-100
ESD susceptibility at all pins (CDM)	V_{ESD_CDM}	-500	–	500	V	1) 3) CDM	PRQ-401
ESD susceptibility at corner pins (CDM) (pins 1, 12, 13, 24)	V_{ESD_CDM}	-750	–	750	V	1) 3) CDM	PRQ-414

- 1) Not subject to production test, specified by design.
- 2) ESD susceptibility, human body model "HBM", according to AEC Q100-002
- 3) ESD susceptibility, charged device model "CDM", according to AEC Q100-011

3.2 Functional range

Unless otherwise specified: VBAT and VDD inside the normal operation range; $T_J = -40^{\circ}\text{C}$ to $+150^{\circ}\text{C}$; all voltages are referenced to GND; positive current flowing into pin.

Table 3 Functional range

Parameter	Symbol	Values			Unit	Note or condition	P-Number
		Min.	Typ.	Max.			
VBAT supply voltage range for normal operation	$V_{BAT(NORM)}$	24	–	54	V	–	PRQ-101
VBAT extended supply voltage range	$V_{BAT(EXT)}$	20	–	70	V	Parameter deviations possible	PRQ-102
VBAT supply transients slew rate	dV_{BAT}/dt	-10	–	10	V/ μs	1)	PRQ-397
Logic supply voltage (VDD)	V_{DD}	3.0	–	5.5	V	–	PRQ-105
VDD logic supply transients slew rate	dV_{DD}/dt	-10	–	10	V/ μs	1)	PRQ-398
SPI logic input voltage	$V_{SCLK}, V_{CSN}, V_{MOSI}$	0	–	V_{DD}	V	–	PRQ-106

(table continues...)

3 General product characteristic

Table 3 (continued) Functional range

Parameter	Symbol	Values			Unit	Note or condition	P-Number
		Min.	Typ.	Max.			
Source voltage transients slew rate	dV_{SX}/dt	-70	-	70	V/ μ s	1)	PRQ-399
Logic input voltage	$V_{SAFESTATEN}, V_{ENABLE}$	0	-	V_{DD}	V	-	PRQ-107
CSO output current	I_{CSO}	-4	-	0	mA	-	PRQ-355
ISP, ISN input voltage	V_{ISP}, V_{ISN}	-2	-	$VBAT + 2$	V	-	PRQ-508
ISP, ISN common mode slew rate	V_{SENSE_COMMON}	-70	-	70	V/ μ s	1)	PRQ-491
ISP, ISN differential mode slew rate	$V_{SENSE_DIFFERENTIAL}$	-5	-	5	V/ μ s	1)	PRQ-492
Junction temp	T_J	-40	-	150	°C	-	PRQ-18

1) Not subject to production test, specified by design.

3.3 Thermal resistance

$T_J = -40^\circ\text{C}$ to $+150^\circ\text{C}$.

Table 4 Thermal resistance

Parameter	Symbol	Values			Unit	Note or condition	P-Number
		Min.	Typ.	Max.			
Junction to case, $T_A = -40^\circ\text{C}$	R_{thJC_cold}	-	4	-	K/W	1)	PRQ-99
Junction to case, $T_A = 85^\circ\text{C}$	R_{thJC_hot}	-	5	-	K/W	1)	PRQ-71
Junction to ambient, $T_A = -40^\circ\text{C}$	$R_{thJA_cold_2s2p}$	-	38	-	K/W	1) 2)	PRQ-72
Junction to ambient, $T_A = 85^\circ\text{C}$	$R_{thJA_hot_2s2p}$	-	31	-	K/W	1) 2)	PRQ-73

1) Not subject to production test, specified by design.

2) Specified R_{thJA} value is according to Jedec JESD51-2,-5,-7 at natural convection on FR4 2s2p board; the product (chip+package) was simulated on a $76.2 \times 114.3 \times 1.5$ mm board with 2 inner copper layers ($2 \times 70 \mu\text{m Cu}$, $2 \times 35 \mu\text{m Cu}$). Where applicable a thermal via array under the exposed pad contacted the first inner copper layer. The device is dissipating 1 W power.

4 General product description

4 General product description

4.1 Power supply

The device is externally supplied by two pins: VDD and VBAT.

The gate driver requires multiple power supplies:

- VBAT supplies the charge pump and parts of the gate control block
- VDD supplies SPI interface, internal logic, protection functions as well as the current sense interface
- Internally generated charge pump voltage VCP supplies the gate control block, V_{DS} and V_{GS} detection blocks and current sense amplifier

4.2 Operation mode

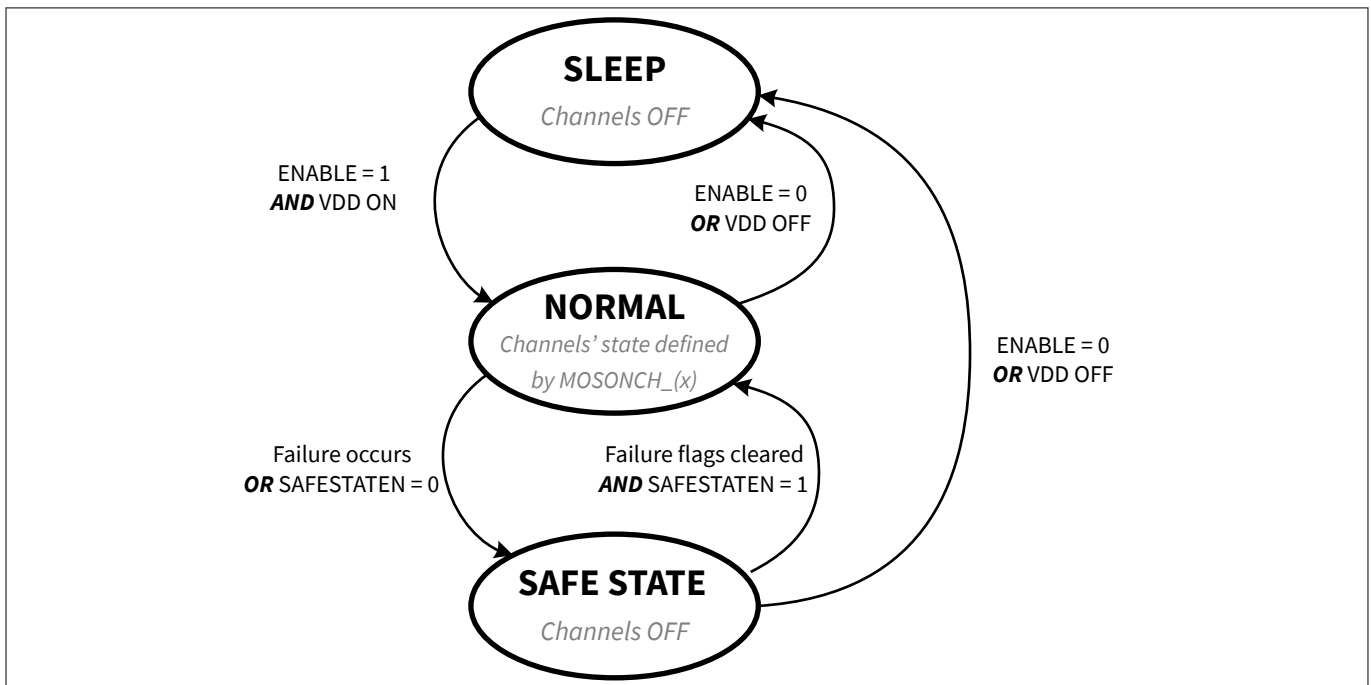


Figure 4 Operation modes overview

4.2.1 Normal mode

The device enters normal mode after the SPI setup time t_{SET_SPI} , if the microcontroller sets the pin ENABLE to high.

In normal mode, the MOSFET gate driver is enabled and can be configured through the SPI interface, provided that the voltages applied to VBAT and VDD are within the operating range.

4.2.2 Sleep mode

The device enters sleep mode if the microcontroller sets the ENABLE pin to low.

In sleep mode, most of the internal circuitry is deactivated: the current consumption of VBAT and VDD is reduced respectively to I_{VBAT_Q} and I_{VDD_Q} .

4.2.3 Safe state mode

The device will enter safe state if the pin SAFESTATEN is set to low.

In safe state the external MOSFETs of both channels are deactivated (e.g. switched off).

4 General product description

To bring the device from safe state back to normal mode, the pin SAFESTATEN has to be set to high and the failure flag SAFESTATE must be cleared via SAFESTATE_CL or FAIL_RST_0 together with FAIL_RST_1.

If the microcontroller sets the ENABLE pin to low, the device enters the sleep mode.

4.2.4 Reset behavior

After the ENABLE pin is pulled high or after an undervoltage event at VDD, the logic content is reset. In both cases, the failure flag VDD_UV is set to high to indicate that a reset was performed.

4.3 Charge pump

The charge pump generates the positive supply for the gate control block, for the V_{GS} and V_{DS} comparators and for the current sense amplifier.

V_{CP_PUMP} thresholds define hysteresis control of the charge pump output voltage by activating/deactivating charge pumping.

V_{CP_READY} thresholds flag the microcontroller that the charge pump output voltage is high enough to activate a channel.

V_{CP_UV} thresholds flag a charge pump output under voltage failure. In this case, turning on and protecting a channel cannot be ensured any more, so the channels are switched off.

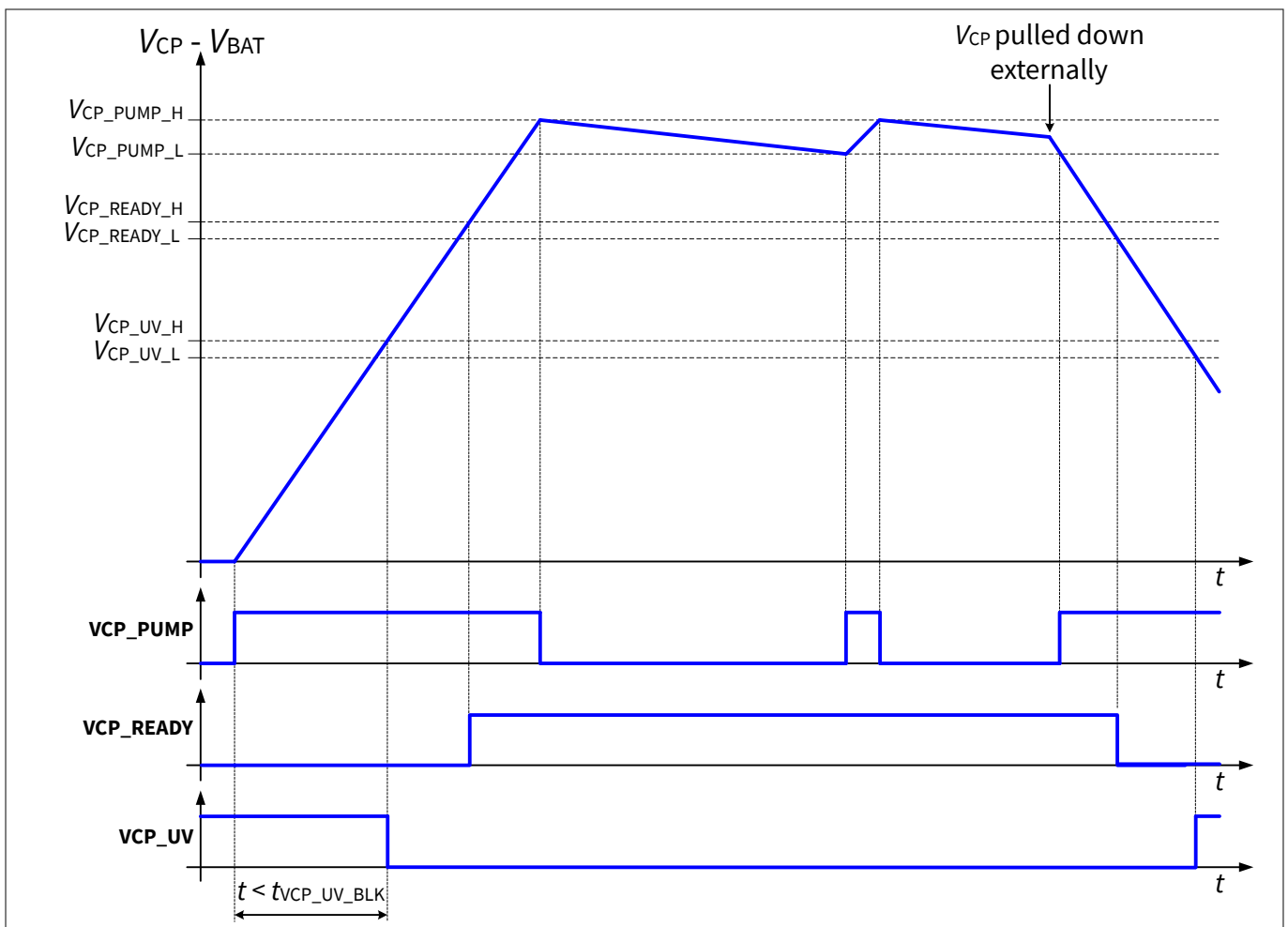


Figure 5 Charge pump operating

The charge pump is ready to operate according the V_{CP_PUMP} signal when the following condition is fulfilled: **ENABLE = high AND TSD = low AND VBAT_OV = low AND VCP_UV = low.**

4 General product description

At the first activation of the charge pump, the VCP_UV diagnostic will be blanked for the $t_{VCP_UV_BLK}$ duration in order to operate a safe start.

Note that a triggering of VCP_UV will therefore switch off the charge pump in a latched way.

The VCP_PUMP signal is controlling the charge pump activity:

- When the charge pump is enabled it is pumping as long as the VCP_PUMP signal is high
- As soon as the $V_{CP} - V_{BAT}$ voltage gets above the $V_{CP_PUMP_H}$ threshold, the VCP_PUMP signal is turned low and the charge pump stops pumping
- As soon as the $V_{CP} - V_{BAT}$ voltage gets below the $V_{CP_PUMP_L}$ threshold, the VCP_PUMP signal is turned high and the charge pump is pumping

The VCP_READY bit is set to 1 once the $V_{CP} - V_{BAT}$ voltage gets higher than the $V_{CP_READY_H}$ threshold.

The VCP_READY bit is set to 0 once the $V_{CP} - V_{BAT}$ voltage gets lower than the $V_{CP_READY_L}$ threshold.

The VCP_UV bit is set to 0 once the $V_{CP} - V_{BAT}$ voltage gets higher than the $V_{CP_UV_H}$ threshold.

The VCP_UV bit is set to 1 once the $V_{CP} - V_{BAT}$ voltage gets lower than the $V_{CP_UV_L}$ threshold.

VCP_UV is blanked for a duration of $t_{VCP_UV_BLK}$ after charge pump gets enabled (e.g.: after device enable or after clearing VCP_UV failure flag).

4.4 Electrical characteristics: supply

Unless otherwise specified: VBAT and VDD inside the normal operation range; $T_J = -40^\circ\text{C}$ to $+150^\circ\text{C}$; CSO pin left open; all voltages are referenced to GND; positive current flowing into pin.

Table 5 Electrical characteristics: supply

Parameter	Symbol	Values			Unit	Note or condition	P-Number
		Min.	Typ.	Max.			
Quiescent current consumption, ENABLE = LOW							
VBAT supply quiescent current	I_{BAT_Q}	-	-	5	μA	¹⁾ $T_A \leq 85^\circ\text{C}$	PRQ-112
VDD logic supply quiescent current	I_{DD_Q}	-	-	7	μA	¹⁾ $T_A \leq 85^\circ\text{C}$	PRQ-114
Current consumption, ENABLE = HIGH							
VBAT supply current	I_{BAT_SUP}	-	-	10	mA	¹⁾ MOSONCH_A = 1; MOSONCH_B = 1; $R_{GS} \geq 1 \text{ M}\Omega$; $C_{VCP} = 2.2 \mu\text{F}$	PRQ-27
VDD logic supply current	I_{DD_SUP}	-	-	10	mA	CSA_HSS = 0; CSA_COUTSEL = 0	PRQ-118
VDD logic supply current	I_{DD_SUP}	-	-	15	mA	¹⁾ CSA_HSS = 1; CSA_COUTSEL = 1	PRQ-543

¹⁾ Not subject to production test, specified by characterization.

4.5 Electrical characteristics: digital IOs

Unless otherwise specified: VBAT and VDD inside the normal operation range; $T_J = -40^\circ\text{C}$ to $+150^\circ\text{C}$; all voltages are referenced to GND; positive current flowing into pin; pull-up resistors connected to VDD, pull-down resistors connected to GND.

4 General product description

Table 6 Electrical characteristics: digital IOs

Parameter	Symbol	Values			Unit	Note or condition	P-Number
		Min.	Typ.	Max.			
Logic input voltage							
Logic high input voltage	V_{IH}	$0.7 \cdot V_{DD}$	–	V_{DD}	V	–	PRQ-30
Logic low input voltage	V_{IL}	0	–	0.7	V	–	PRQ-31
Logic input threshold hysteresis	V_{IHY}	100	–	–	mV	–	PRQ-32
Logic output voltage							
Logic high output voltage level	V_{OH}	$V_{DD} - 0.4$	$V_{DD} - 0.2$	V_{DD}	V	$I_O = -1.6 \text{ mA}$	PRQ-415
Logic low output voltage level	V_{OL}	0	0.2	0.4	V	$I_O = 1.6 \text{ mA}$	PRQ-416
Pull-up / -down resistors							
ENABLE pull-down resistor	R_{PD_ENABLE}	30	40	50	k Ω	–	PRQ-126
SCLK pull-down resistor	R_{PD_SCLK}	30	40	50	k Ω	–	PRQ-410
SAFESTATEN pull-down resistor	$R_{PD_SAFESTATE}$ N	30	40	50	k Ω	–	PRQ-409
MOSI pull-down resistor	R_{PD_MOSI}	30	40	50	k Ω	–	PRQ-411
INTERRUPT pull-down resistor	$R_{PD_INTERRUPT}$	30	40	50	k Ω	–	PRQ-479
CSN pull-up resistor	R_{PU_CSN}	30	40	50	k Ω	–	PRQ-412
SPI interface setup time							
SPI interface setup time	t_{SET_SPI}	–	–	150	μs	–	PRQ-413

4.6 Electrical characteristics: charge pump

Unless otherwise specified: VBAT and VDD inside the normal operation range; $T_J = -40^\circ\text{C}$ to $+150^\circ\text{C}$; all voltages are referenced to GND; positive current flowing into pin.

Table 7 Electrical characteristics: charge pump

Parameter	Symbol	Values			Unit	Note or condition	P-Number
		Min.	Typ.	Max.			
Charge pump frequency	f_{CP}	140	156	172	kHz	–	PRQ-127
VCP_PUMP							
VCP_PUMP_H threshold	$V_{CP_PUMP_H}$	12.7	14	15	V	–	PRQ-343
VCP_PUMP_L threshold	$V_{CP_PUMP_L}$	11.7	13	14	V	–	PRQ-344
VCP_PUMP hysteresis	$V_{CP_PUMP_HY}$	0.5	1	1.5	V	–	PRQ-402

VCP_READY

(table continues...)

4 General product description

Table 7 (continued) Electrical characteristics: charge pump

Parameter	Symbol	Values			Unit	Note or condition	P-Number
		Min.	Typ.	Max.			
VCP_READY_H threshold	$V_{CP_READY_H}$	10	11	11.7	V	–	PRQ-345
VCP_READY_L threshold	$V_{CP_READY_L}$	9.5	10.5	11.2	V	–	PRQ-346
VCP_READY hysteresis	$V_{CP_READY_HY}$	0.38	0.5	0.62	V	–	PRQ-403
VCP_UV							
VCP_UV_H threshold	$V_{CP_UV_H}$	5.7	6.5	7	V	–	PRQ-347
VCP_UV_L threshold	$V_{CP_UV_L}$	5.2	6	6.5	V	–	PRQ-348
VCP_UV hysteresis	$V_{CP_UV_HY}$	0.25	0.5	0.75	V	–	PRQ-404
VCP_UV Blanking time	$t_{VCP_UV_BLK}$	2.4	3	4	ms	–	PRQ-494
Charge pump output current							
Charge pump output current capability at VCP	I_{CPO}	–	–	-10	mA	$C_{CPHL} = 220 \text{ nF}$;	PRQ-349
CPL pulsed current	$ I_{CPL_PULSE} $	60	80	110	mA	–	PRQ-487

5 High-side gate driver

5 High-side gate driver

The high-side gate driver is capable to drive multiple external MOSFETs for high current capability. Two independent channels are available, and they can be switched on and off by the SPI register commands. The gate drivers are supplied by an internal one-stage charge pump with external capacitors.

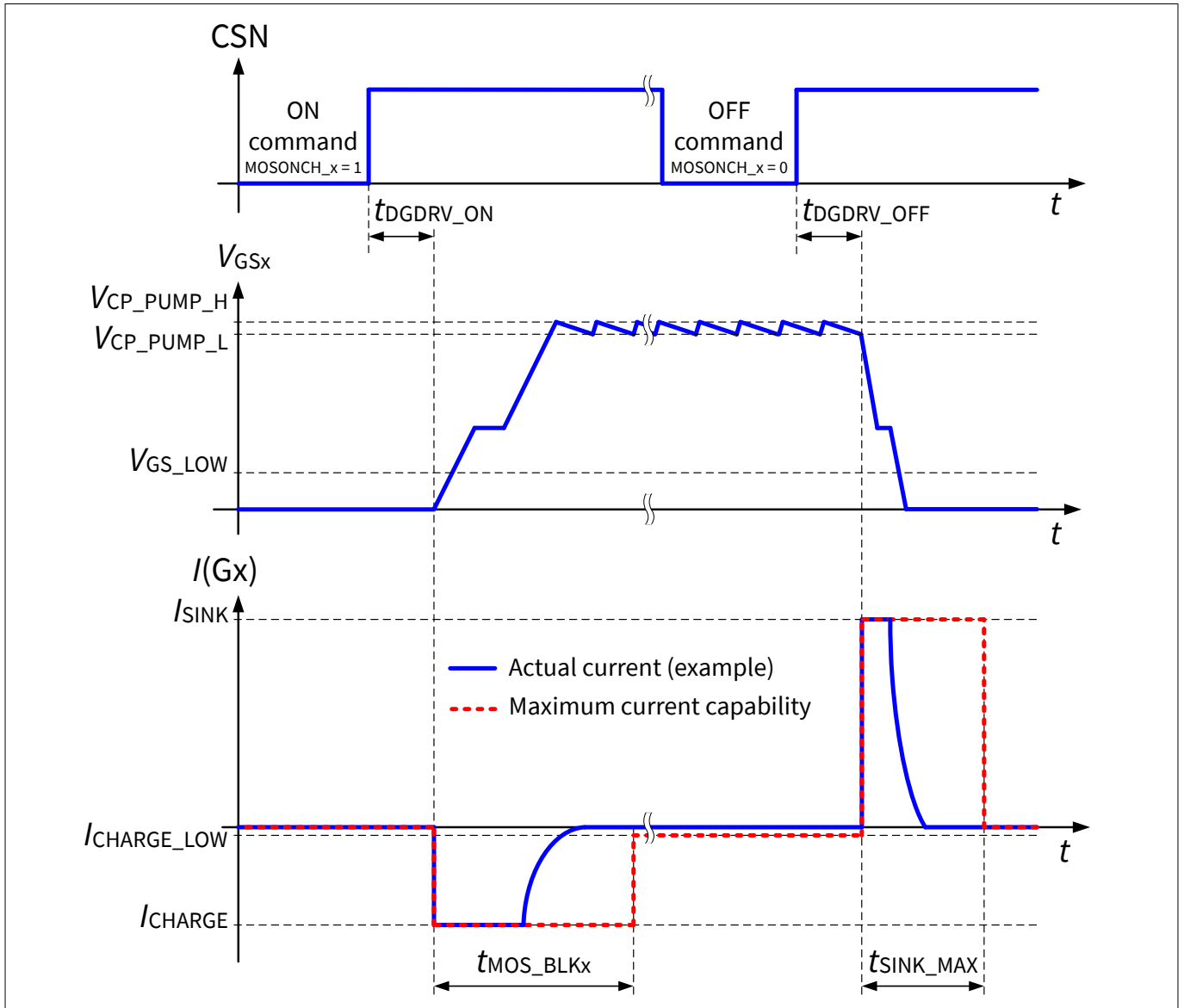


Figure 6 Maximum gate driving capability

5.1 Channel activation

The selected channel is activated under the following condition:
 ENABLE = high **AND** MOSONCH_(x) = high **AND** SAFESTATEN = high.

Table 8 MOSFET activation

MOSONCH_(x)[0]	MOSFET activation state
0	MOSFET channel not activated (default)
1	MOSFET channel activated

5 High-side gate driver

When a channel is activated through the SPI interface, its output gate current capability is set to I_{CHARGE} for a duration of maximum t_{MOS_BLKx} (MOS blanking time). I_{CHARGE} is active until V_{GS} reaches V_{CP} , so the actual time depends on the MOSFETs gate capacitance.

Once the t_{MOS_BLKx} time expires, the output gate current capability is reduced to maximum I_{CHARGE_LOW} ; the actual current delivered by the driver depends on external leakages, coming for example from an external pull-down resistor added between gate and source of the MOSFETs.

5.2 Channel deactivation

The channel is deactivated by discharging the external MOSFET's gate if one of the following conditions are met:

- MOSONCH_(x) set from high to low
- Pin ENABLE set from high to low
- SAFESTATEN set from high to low

Note: In case of a failure, MOSONCH_(x) is automatically set from high to low, which immediately triggers a channel deactivation.

When a channel is deactivated either due to MOSONCH_(x) or pin SAFESTATEN set from high to low, the output gate control pulls a high discharge current, set to I_{SINK} for a duration of maximum t_{SINK_MAX} . I_{SINK} is active until V_{GS} is zero, so the actual time depends on the MOSFETs gate capacitance.

Once t_{SINK_MAX} expires, the output gate control changes to a voltage clamping structure, which limits the gate to source voltage (V_{GS}) to maximum V_{GS_LOW} . This clamping structure ensures that the MOSFETs' V_{GS} is below $V_{GS(th)}$ to keep them OFF.

When the channels are deactivated due to pin ENABLE set from high to low, the output gate control does not pull the high discharge current (I_{SINK}), it immediately changes to the voltage clamping structure.

5.3 MOSFET driver output

Unless otherwise specified: VBAT and VDD inside the normal operation range; $T_J = -40^{\circ}C$ to $+150^{\circ}C$; all voltages are referenced to GND; positive current flowing into pin.

Table 9 MOSFET driver output

Parameter	Symbol	Values			Unit	Note or condition	P-Number
		Min.	Typ.	Max.			
Gate charge current high	I_{CHARGE}	-	-	-300	mA	$V_{Gx} = V_{Sx} = 0 V$	PRQ-133
Gate charge current low	I_{CHARGE_LOW}	-5	-4	-2.5	mA	-	PRQ-488
Gate discharge current	I_{SINK}	0.9	1.1	1.3	A	$V_{Gx} - V_{Sx} = 13 V$	PRQ-134
Gate discharge current maximum active time	t_{SINK_MAX}	8	10	12	μs	1)	PRQ-539
High level output voltage Gx vs. Sx	V_{GS}	V_{CP_PUM} P_L	-	V_{CP_PUM} P_H	V	Current between Gx and Sx = 1 mA	PRQ-135
Low level output voltage Gx vs. Sx	V_{GS_LOW}	-	-	1.7	V	$T_J < 25^{\circ}C$ Current between Gx and Sx = 100 mA $0 V \leq V_{BAT} \leq V_{BAT(EXT)_MAX}$ $0 V \leq V_{DD} \leq V_{DD_MAX}$	PRQ-498

(table continues...)

5 High-side gate driver

Table 9 (continued) MOSFET driver output

Parameter	Symbol	Values			Unit	Note or condition	P-Number
		Min.	Typ.	Max.			
Low level output voltage Gx vs. Sx	V_{GS_LOW}	–	–	1.5	V	$T_J \geq 25^\circ\text{C}$ Current between Gx and Sx = 100 mA $0\text{ V} \leq V_{BAT} \leq V_{BAT(EXT)_MAX}$ $0\text{ V} \leq V_{DD} \leq V_{DD_MAX}$	PRQ-524

Gate driver dynamic parameter

Gate turn-on delay time	t_{DGDRV_ON}	–	–	3	μs	Duration between CSN goes from low to high and gate charge current is activated	PRQ-137
Gate turn-off delay time	t_{DGDRV_OFF}	–	–	3	μs	Duration between CSN goes from low to high and gate discharge current is activated	PRQ-139
Delay time for gate turn-off triggered by SAFESTATEN	t_{DGOFF_SFSTN}	–	–	3	μs	Duration between SAFESTATEN goes from high to low and gate discharge current is activated	PRQ-527
Gate to source clamped voltage	V_{GS_TH}	15.5	–	19.5	V	–	PRQ-476

Active zener clamping

Gate zener clamping with respect to VBAT	$V_{CLAMP_G_VBAT}$	78	82	87	V	$I_G = -2.5\text{ mA}$	PRQ-489
Gate zener clamping with respect to GND	$V_{CLAMP_G_GND}$	78	82	87	V	$I_G = -2.5\text{ mA}$	PRQ-490

1) Not subject to production test, specified by design.

6 Protection and monitoring

6 Protection and monitoring

The device provides three sets of features to protect and monitor:

- Monitorings, which give a status to the MCU
- Warnings, which inform the MCU of critical events with limited impact
- Failure detections, which trigger internal actions (channel deactivation mainly) and notify immediately the MCU

6.1 Monitorings

6.1.1 Source voltage monitoring in OFF state

If the source voltage V_{Sx} of a deactivated channel rises above V_{S_TH} , and ENABLE is high, then the appropriate flag VSOURCE_(x) is set to 1.

This warning allows to implement an "open load detection in OFF state", since the voltage on the source pin Sx would be pulled up by the leakage of the gate driver if there is no load connected.

6.1.2 Charge pump voltage monitoring

If the charge pump voltage VCP is above $V_{CP_READY_H}$, then the VCP_READY flag is set to 1.

6.1.3 SPI address monitoring

If the MCU tries to read or write a register with an address which is not available, then the ADD_NOT_AVAIL flag is set to 1.

6.2 Warnings

In order to inform the MCU about any warning on the driver, the warning flags will be used and updated by the device, which notifies the MCU by setting the INTERRUPT pin to high.

The warnings are not latched and will be reset, if the condition no longer applies.

The warnings do not change the state of the output channels.

6.2.1 Temperature warning

The OT_WARNING is set to 1 if the overtemperature warning threshold T_{JW} is reached and exceeded.

6.2.2 One time programmable (OTP) memory data corruption

The device embeds an OTP to store internal settings, used to trim internal blocks for full specification compliance. These settings are written during manufacturing and this memory cannot be accessed by SPI.

The MEM_FAIL flag is set to 1 if OTP data is corrupted or if OTP readout failed. In this case all affected trimmings are set to default values, therefore parameter deviations are possible. OTP is checked and read out right after the device is enabled.

Note: OTP cannot be read in case of a not connected ground pin.

6.2.3 Ground loss

In case of a voltage difference between 2 ground pins (whether GND, AGND or CPGND) higher than V_{GND_LOSS} , the corresponding LOG_(x) warning flags will be set to 1. This is typically the case for not connected ground pins.

- Disconnecting AGND will trigger LOG_A and LOG_CP flags

6 Protection and monitoring

- Disconnecting CPGND will trigger LOG_CP and LOG_D flags
- Disconnecting DGND will trigger LOG_A and LOG_D flags

6.3 Failures detection

Failures detection is provided to implement protections for the external MOSFETs and eventually for the load. There are two types of failures detected by the gate driver:

- Latching failures, which require to be cleared before the gate driver can operate again. This category is split into two sub-categories:
 - Latching failures for which clearing the flag will automatically turn the channel on again. They include:
 - Undervoltage on the charge pump
 - Undervoltage on gate-source voltage ($V_{GS} = [V_{GX} - V_{SX}]$)
 - Overvoltage on drain-source voltage ($V_{DS} = [V_{BAT} - V_{SX}]$), when $VDS(x)_{SS}[0] = 0$ to enable the protection
 - Latching failures for which an SPI command has to follow the flag clearing in order to turn the channel on again. They include :
 - Undervoltage on V_{DD}
 - SAFESTATEN pin activation
 - Overtemperature shut down
 - Overcurrent
- Non-latching failures, which do not need to be cleared: once the failure source is gone, the gate driver can operate again after a configurable delay. They include:
 - Overvoltage on V_{BAT}
 - Undervoltage on V_{BAT}

6.3.1 Failure notification and clearing

In case of failure detection, the FAILURE flag is set to high, the INTERRUPT pin is set to high and the corresponding channel(s) is (are) deactivated automatically by setting register bit MOSONCH_(x) to 0 (except for drain-source failure detection when it is disabled through the VDS(x)_SS register).

A latching failure can only be cleared when the failure is not present anymore, except for VCP_UV, VGSTH_(x) and VDSTRIP_(x).

6.3.2 Non-latching failures

The non-latching failures do not need to be reset: the gate driver activates the MOSFET again, if the failure does not exist anymore.

6.3.2.1 VBAT overvoltage

If V_{BAT} exceeds $V_{BAT_OV_OFF}$, the FAILURE bit and VBAT_OV flag are set to 1.

If the V_{BAT} gets lower than $V_{BAT_OV_ON}$, then the restart will be done after $t_{OV_RESTART}$.

While the device is in auto-restart duration, none of the channels can be activated by the μC .

Table 10 VBAT overvoltage auto-restart time

VBATOVARST[1:0]	VBAT overvoltage auto-restart time (typical): $t_{OV_RESTART}$
00	10 μs (default)
01	50 μs
10	200 μs
11	1 ms

6 Protection and monitoring

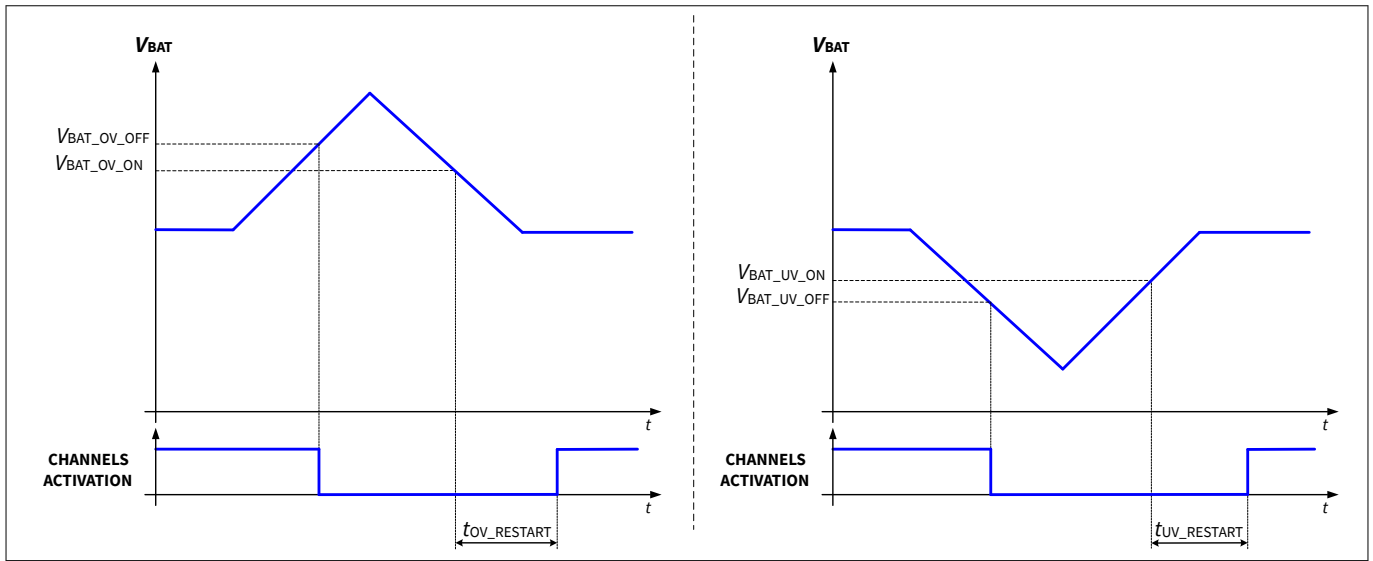


Figure 7 VBAT overvoltage and undervoltage auto-restart time diagrams

6.3.2.2 VBAT undervoltage

If V_{BAT} gets lower than $V_{BAT_UV_OFF}$, the FAILURE bit and VBAT_UV flag are set to 1.

If the V_{BAT} gets higher than $V_{BAT_UV_ON}$, then the restart will be done after $t_{UV_RESTART}$.

While the device is in auto-restart duration, none of the channels can be activated by the μC .

Table 11 VBAT undervoltage auto-restart time

VBATUVARST[1:0]	VBAT undervoltage auto-restart time $t_{UV_RESTART}$ (typical)
00	1 ms (default)
01	5 ms
10	20 ms
11	50 ms

6.3.3 Latching failures

Once a latching failure (except VDD_UV) has been detected, a reset can be operated either by toggling ENABLE, VDD (Chapter 4.2.4), or by an SPI command.

6.3.3.1 Blank time and filter time for failures detections

6.3.3.1.1 Blank time

Both drain-source and gate-source failure detections are inherently triggered at the turn-on of a channel. Turning on a MOSFET implies a transient phase where the gate-source voltage is rising and drain-source voltage is decreasing before they reach their steady state.

Both failure detections have therefore to be temporary blanked at turn-on, which is the purpose of the configurable blank time: t_{MOS_BLKx} . Its value is configured for each channel independently, based on the MOSFETs characteristics (total C_{GS} mainly).

Note: As described in Chapter 5.1, t_{MOS_BLKx} also defines the maximum duration of the I_{CHARGE} current.

6 Protection and monitoring

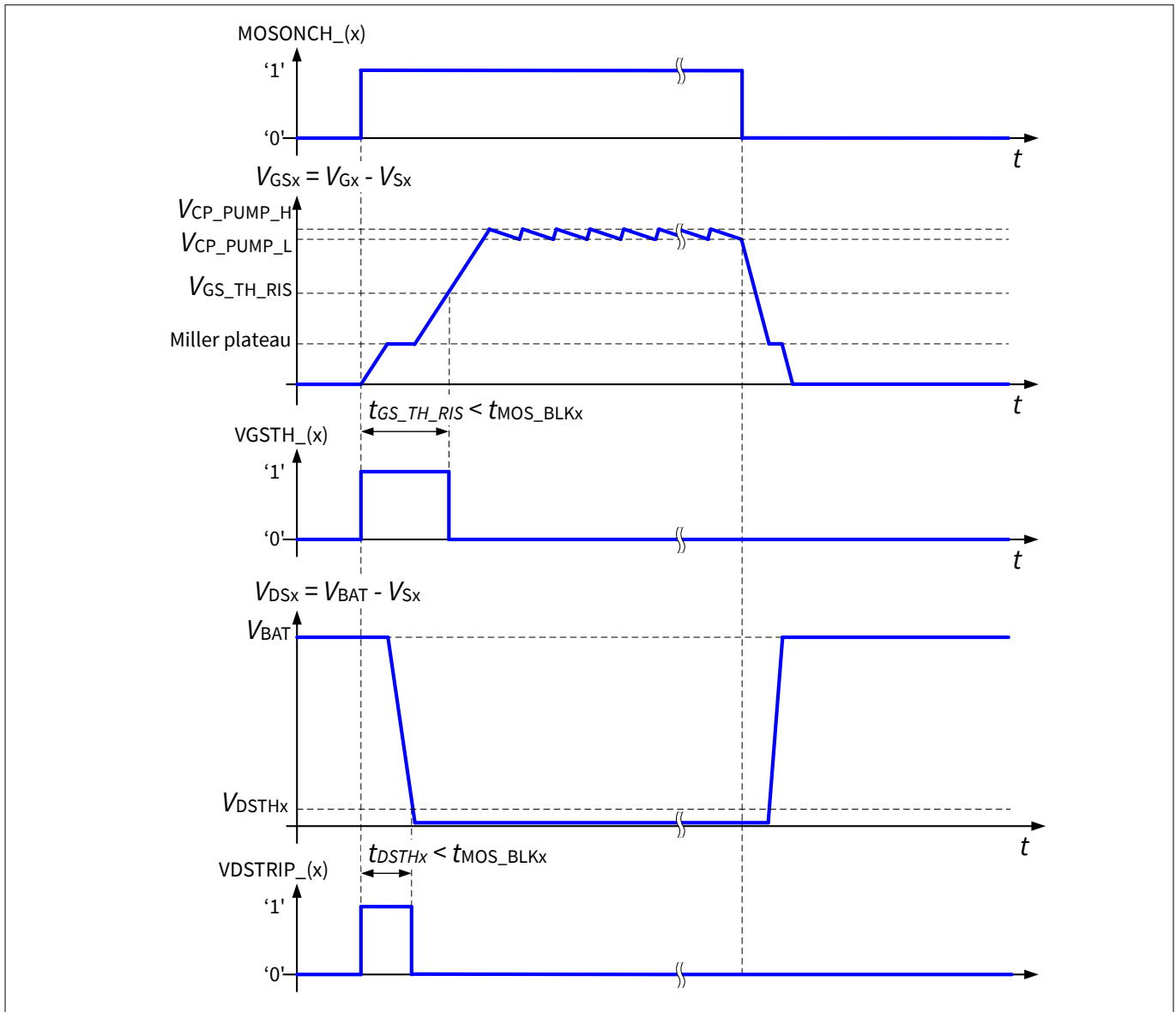


Figure 8 Blank time at MOSFET turn-on

A configurable blank time for the drain-source and gate-source failure detections is applied at the turn-on of the selected channel. During the blank time t_{MOS_BLKx} , a drain-source or gate-source overvoltage failure is masked.

Table 12 MOSFET voltage blank time

MOSBLK_(x)_[1:0]	MOSFET voltage blank time (typical) t_{MOS_BLKx}
00	10 μ s (default)
01	20 μ s
10	50 μ s
11	100 μ s

6 Protection and monitoring

6.3.3.1.2 Filter time

Both drain-source and gate-source failure detections may be wrongly triggered due to noisy signals on the monitored pins. A configurable filter time is therefore provided for each channel independently, which applies for the two failure detections: t_{MOS_FLTx} .

Table 13 MOSFET voltage filter time

MOSFLT_(x)_[1:0]	MOSFET voltage filter time (typical) t_{MOS_FLTx}
00	0.5 μ s
01	1 μ s (default)
10	2 μ s
11	5 μ s

6.3.3.2 Drain-source overvoltage

The drain to source voltage of activated channel(s) is continuously monitored in order to protect high-side MOSFETs against a short circuit to ground during ON-state.

If a channel is activated and the V_{BAT} (drain) to V_{Sx} (source) voltage V_{DS} exceeds V_{DSTHx} for longer than the filter time t_{MOS_FLTx} after the blanking time t_{MOS_BLKx} , the bit FAILURE and the VDSTRIP_(x) bit are set to 1 and the register bit MOSONCH_(x) is set to 0 if the VDS(x)_SS bit is set to 0.

Otherwise (VDS(x)_SS bit is set to 1) only the bit FAILURE and the VDSTRIP_(x) bit are set to 1 and the register bit MOSONCH_(x) is still set to 1.

Each channel has a dedicated threshold that can be selected by the register VDSTH_(x).

When VDS(x)_SS bit is set to 0 and the VDSTRIP_(x) failure flag is cleared, the selected channel immediately turns on again. If the V_{DS} of the channel is still above V_{DSTHx} for longer than the filter time t_{MOS_FLTx} after the blanking time t_{MOS_BLKx} (e.g. the failure cause is still present), the channel is disabled again.

Table 14 Drain-source overvoltage threshold

VDSTH_(x)_[2:0]	Positive drain-source overvoltage threshold (typical) V_{DSTHx}	Negative drain-source overvoltage threshold
000	100 mV	-100 mV
001	150 mV	-150 mV
010	200 mV (default)	- 200 mV (default)
011	250 mV	-250 mV
100	300 mV	-300 mV
101	400 mV	- 400 mV
110	500 mV	- 500 mV
111	600 mV	- 600 mV

Table 15 Drain-source channel de-activation condition

VDS(x)_SS_[0]	Drain-source channel condition
0	Channel is de-activated in case of drain-source overvoltage (default)
1	Channel is not de-activated in case of drain-source overvoltage

6 Protection and monitoring

6.3.3.3 Gate-source undervoltage

The device reports a gate-source undervoltage failure if the following conditions are both met:

- After expiration of the configured blank time t_{MOS_BLKx}
- If the gate-source voltage is less than the threshold $V_{GS_TH(x)}$ for the selected channel for a duration longer than the configured filter time $t_{MOS_FLT x}$

In case of gate-source undervoltage failure, the bit FAILURE and the bit VGSTH_(x) are set to 1.

When the VGSTH_(x) flag is cleared, the selected channel automatically turns on again. If the V_{GS} of the channel is still below $V_{GS_TH_RIS}$ for longer than the filter time $t_{MOS_FLT x}$ after the blanking time t_{MOS_BLKx} (e.g. the failure cause is still present), the channel is disabled again.

6.3.3.4 Channel cross-control

While activating both channels, VGSTH_(x) and VDSTRIP_(x) failures related to one channel may or may not affect the other channel. This cross-control between the 2 channels is programmable by SPI.

While the CHCRCTRL bit is set to 1, any of the following failures will deactivate the channels A (CHA) and B (CHB) according this overview:

- In case of $VGSTH_{(x)} = 1 \rightarrow CHA = OFF$ and $CHB = OFF$
- In case of $VDSTRIP_A = 1, VDSA_SS = 0$ and $VDSB_SS = 0 \rightarrow CHA = OFF$ and $CHB = OFF$
- In case of $VDSTRIP_A = 1, VDSA_SS = 1$ and $VDSB_SS = 0 \rightarrow CHA = \text{Keep previous state (ON)}$ and $CHB = OFF$
- In case of $VDSTRIP_A = 1, VDSA_SS = 0$ and $VDSB_SS = 1 \rightarrow CHA = OFF$ and $CHB = \text{Keep previous state}$
- In case of $VDSTRIP_A = 1, VDSA_SS = 1$ and $VDSB_SS = 1 \rightarrow CHA = \text{Keep previous state (ON)}$ and $CHB = \text{Keep previous state}$
- In case of $VDSTRIP_B = 1, VDSA_SS = 0$ and $VDSB_SS = 0 \rightarrow CHA = OFF$ and $CHB = OFF$
- In case of $VDSTRIP_B = 1, VDSA_SS = 1$ and $VDSB_SS = 0 \rightarrow CHA = \text{Keep previous state}$ and $CHB = OFF$
- In case of $VDSTRIP_B = 1, VDSA_SS = 0$ and $VDSB_SS = 1 \rightarrow CHA = OFF$ and $CHB = \text{Keep previous state (ON)}$
- In case of $VDSTRIP_B = 1, VDSA_SS = 1$ and $VDSB_SS = 1 \rightarrow CHA = \text{Keep previous state}$ and $CHB = \text{Keep previous state (ON)}$

If the CHCRCTRL bit is set to 0, only the faulty channel will be treated.

Table 16 Channel cross-control

CHCRCTRL[0]	Channel cross-control status
0	Cross-control deactivated
1	Cross-control activated (default)

6.3.3.5 VDD undervoltage

If the VDD voltage falls below the $V_{DD_UV_ON}$ threshold, the device is reset. When V_{DD} comes back above the $V_{DD_UV_ON}$ threshold, VDD_UV bit is set to 1.

6.3.3.6 VCP undervoltage

The VCP_UV bit and the FAILURE bit are set to 1 as soon as the $(V_{CP} - V_{BAT})$ voltage gets lower than the $V_{CP_UV_L}$ threshold. The charge pump is immediately disabled.

When the failure flag VCP_UV is cleared, the charge pump immediately restarts. If the $(V_{CP} - V_{BAT})$ voltage is still below $V_{CP_UV_H}$ after the startup blanking time $t_{VCP_UV_BLK}$, (e.g. the failure cause is still present), the charge pump is disabled again.

6.3.3.7 SAFESTATEN activation

Once the SAFESTATEN signal is set to low, the FAILURE bit is set to 1.

6 Protection and monitoring

6.3.3.8 Overtemperature

If the internal temperature sensor reaches T_{JSD} , the gate drivers are latched off, the charge pump and the current sense amplifier are deactivated and the TSD and FAILURE flags are set to 1.

6.3.3.9 Current sense amplifier and overcurrent comparator

Current sense amplifier is used for monitoring the voltage drop across the shunt resistor as a sensor for the load current. If overcurrent is detected, this will switch off both channels.

Current sense comparator and amplifier are active under the following condition:

ENABLE = high **AND** VCP_UV = low **AND** VBAT_UV = low **AND** VBAT_OV = low **AND** TSD = low **AND** $V_{DD} > V_{DD_UV_ON}$.

6.3.3.9.1 Gain configuration

The differential gain of the current sense amplifier is configurable by the configuration bits CSAG_(x).

Table 17 Configuration of the current sense amplifier gain

CSAG[2:0]	Current sense amplifier gain G_{DIFF} (typical)
000	10 V/V
001	15 V/V
010	20 V/V
011	25 V/V
100	31.5 V/V
101	35 V/V (default)
110	40 V/V
111	47.7 V/V

6.3.3.9.2 Current sense position

In order to adjust the internal circuitry to the proper shunt position (high-side or low-side), the CSA_HSS needs to be set.

While the CSA_HSS bit is set to 0, the internal circuitry is optimized for a current sense in low-side position.

If the CSA_HSS bit is set to 1, the internal circuitry is optimized for a current sense in high-side position.

Table 18 Current sense position adjustment

CSA_HSS[0]	Current sense position
0	Shunt is in low-side position (default)
1	Shunt is in high-side position

6.3.3.9.3 Current sense output load

In order to adjust to the amount of output charge connected to the CSO pin, some internal circuitry can be activated.

While the CSA_COUTSEL bit is set to 1, the internal circuitry is optimized for an external load capacitance higher than 100 pF.

If the CSA_COUTSEL bit is set to 0, the internal circuitry is optimized for an external load capacitance lower than 100 pF.

6 Protection and monitoring

Table 19 Current sense output load adjustment

CSA_COUTSEL[0]	Current sense output charge
0	Output load < 100 pF (default)
1	Output load > 100 pF

6.3.3.9.4 Overcurrent detection

A comparator at CSO detects overcurrent conditions.

If the CSA output is out of the range between threshold voltages $\Delta VOCTHxL$ and $\Delta VOCTHxH$ configured in OCTH, all channels are switched off and the bits FAILURE and ITRIP are set to 1 if at least one channel was in ON state.

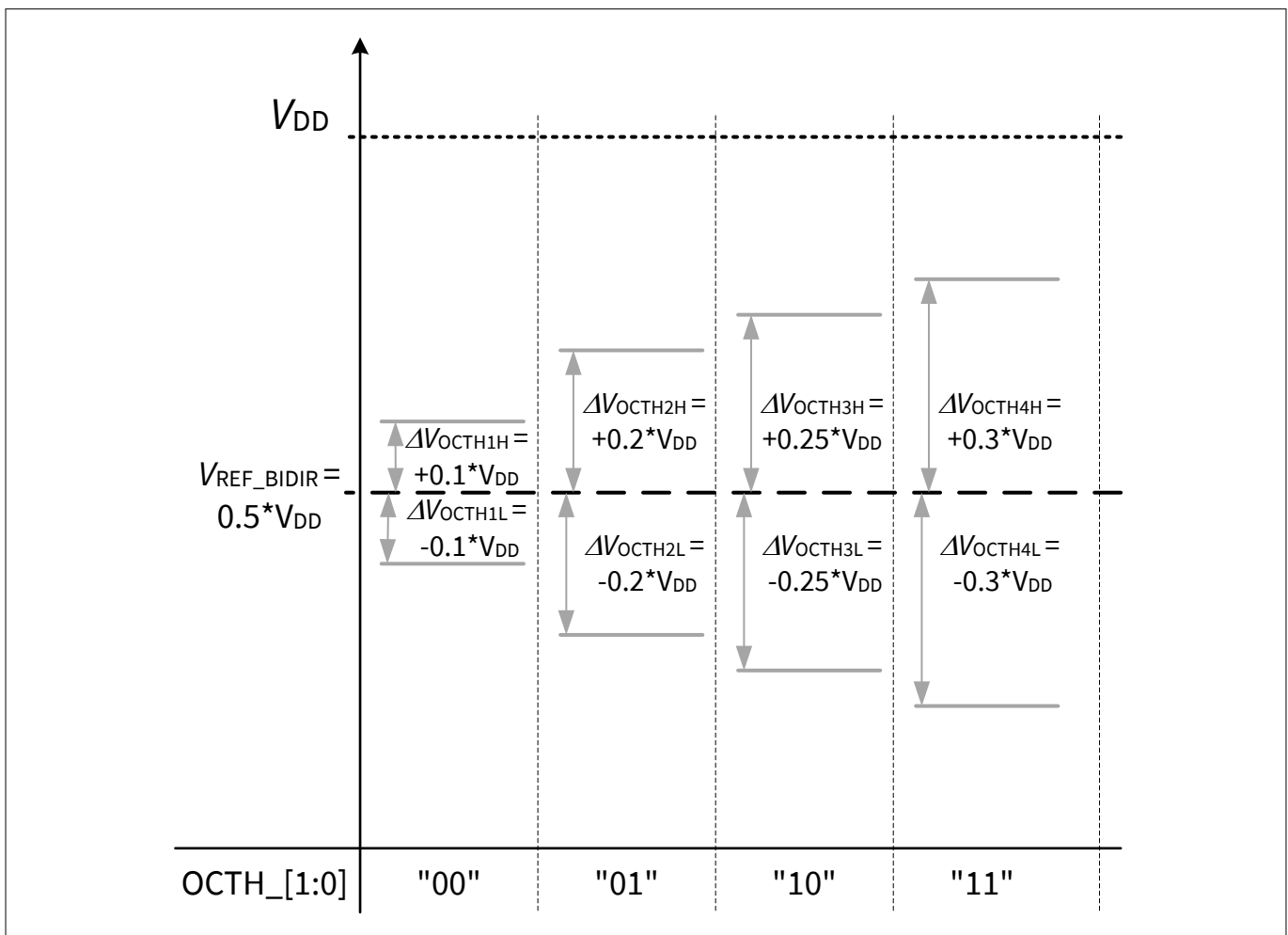


Figure 9 Overcurrent detection thresholds

6.3.3.9.5 Electrical characteristics: current sense

Unless otherwise specified: VBAT and VDD inside the normal operation range; $T_J = -40^\circ\text{C}$ to $+150^\circ\text{C}$; all voltages are referenced to GND; positive current flowing into pin.

6 Protection and monitoring

Table 20 Electrical characteristics: current sense

Parameter	Symbol	Values			Unit	Note or condition	P-Number
		Min.	Typ.	Max.			
Input offset voltage	V_{OFFSET}	-1.4	0	1.4	mV	–	PRQ-52
Integrated output noise voltage at CSO pin	$V_{\text{CSO_NOISE}}$	–	–	5	mV_{rms}	¹⁾ ISP shorted to ISN; all gain settings; output open (no load at CSO)	PRQ-262
PSRR - Power supply rejection ratio VCP	P_{SRR}	60	–	–	dB	DC up to 1 kHz	PRQ-63
Settling time to 98%	t_{SET}	–	–	7	μs	Duration between CSN goes from low to high and signal at CSO pin is settled (98% of final value)	PRQ-222
Reference voltage for bidirectional CSA	$V_{\text{REF_BIDIR}}$	-2%	$V_{\text{DD}}/2$	+2%	V	–	PRQ-228
Digital glitch filter time for ITRIP	$t_{\text{ITRIP_FLT}}$	1.2	1.5	1.8	μs	¹⁾	PRQ-505
ISP, ISN leakage current while off	$I_{\text{SP_OFF}}$, $I_{\text{SN_OFF}}$	-5	–	5	μA	ENABLE = 0; $V_{\text{ISP}} = V_{\text{ISN}}$; $0 \text{ V} \leq V_{\text{ISN}}, V_{\text{ISP}} \leq V_{\text{BAT}}$	PRQ-392

Common mode rejection ratio

CMRR - common mode rejection ratio @ Gain = 10 V/V	C_{MRR10}	69	–	–	dB	DC up to 1 kHz	PRQ-64
CMRR - common mode rejection ratio @ Gain = 15 V/V	C_{MRR15}	72.5	–	–	dB	DC up to 1 kHz	PRQ-148
CMRR - common mode rejection ratio @ Gain = 20 V/V	C_{MRR20}	75	–	–	dB	DC up to 1 kHz	PRQ-149
CMRR - common mode rejection ratio @ Gain = 25 V/V	C_{MRR25}	77	–	–	dB	DC up to 1 kHz	PRQ-150
CMRR - common mode rejection ratio @ Gain = 31.5 V/V	$C_{\text{MRR31.5}}$	78.5	–	–	dB	DC up to 1 kHz	PRQ-210
CMRR - common mode rejection ratio @ Gain = 35 V/V	C_{MRR35}	79.5	–	–	dB	DC up to 1 kHz	PRQ-211

(table continues...)

6 Protection and monitoring

Table 20 (continued) Electrical characteristics: current sense

Parameter	Symbol	Values			Unit	Note or condition	P-Number
		Min.	Typ.	Max.			
CMRR - common mode rejection ratio @ Gain = 40 V/V	C_{MRR40}	81	–	–	dB	DC up to 1 kHz	PRQ-212
CMRR - common mode rejection ratio @ Gain = 47.7 V/V	$C_{MRR47.7}$	82.5	–	–	dB	DC up to 1 kHz	PRQ-213

Current sense amplifier differential gain

Current sense amplifier differential gain 10 V/V	G_{DIFF10}	9.8	10	10.2	V/V	Test condition: CSAG = (000)	PRQ-53
Current sense amplifier differential gain 15 V/V	G_{DIFF15}	14.7	15	15.3	V/V	Test condition: CSAG = (001)	PRQ-77
Current sense amplifier differential gain 20 V/V	G_{DIFF20}	19.6	20	20.4	V/V	Test condition: CSAG = (010)	PRQ-78
Current sense amplifier differential gain 25 V/V	G_{DIFF25}	24.5	25	25.5	V/V	Test condition: CSAG = (011)	PRQ-79
Current sense amplifier differential gain 31.5 V/V	$G_{DIFF31.5}$	30.87	31.5	32.13	V/V	Test condition: CSAG = (100)	PRQ-206
Current sense amplifier differential gain 35 V/V	$G_{DIFF37.7}$	34.3	35	35.7	V/V	Test condition: CSAG = (101)	PRQ-207
Current sense amplifier differential gain 40 V/V	G_{DIFF40}	39.2	40	40.8	V/V	Test condition: CSAG = (110)	PRQ-208
Current sense amplifier differential gain 47.7 V/V	$G_{DIFF47.7}$	46.75	47.7	48.65	V/V	Test condition: CSAG = (111)	PRQ-209

Current sense bandwidth

Low gain current sense bandwidth	f_{BW_LOW}	200	–	–	kHz	Max output current capability = 4 mA, load between 10 pF and 400 pF, CSAG[2:0] from '000' to '110'	PRQ-388
High gain current sense bandwidth	f_{BW_HIGH}	150	–	–	kHz	Max output current capability = 4 mA, load between 10 pF and 400 pF, CSAG[2:0]='111'	PRQ-389

Overcurrent thresholds

Overcurrent threshold 1 high relative to VREF_BIDIR	ΔV_{OCTH1H}	$0.095 \cdot V_{DD}$	$0.105 \cdot V_{DD}$	$0.115 \cdot V_{DD}$	V	OCTH = (00)	PRQ-531
Overcurrent threshold 1 low relative to VREF_BIDIR	ΔV_{OCTH1L}	$-0.115 \cdot V_{DD}$	$-0.105 \cdot V_{DD}$	$-0.095 \cdot V_{DD}$	V	OCTH = (00)	PRQ-532

(table continues...)

6 Protection and monitoring

Table 20 (continued) Electrical characteristics: current sense

Parameter	Symbol	Values			Unit	Note or condition	P-Number
		Min.	Typ.	Max.			
Overcurrent threshold 2 high relative to VREF_BIDIR	ΔV_{OCTH2H}	0.199* V_{DD}	0.210* V_{DD}	0.221* V_{DD}	V	OCTH = (01)	PRQ-533
Overcurrent threshold 2 low relative to VREF_BIDIR	ΔV_{OCTH2L}	-0.214* V_{DD}	-0.203* V_{DD}	-0.192* V_{DD}	V	OCTH = (01)	PRQ-534
Overcurrent threshold 3 high relative to VREF_BIDIR	ΔV_{OCTH3H}	0.243* V_{DD}	0.254* V_{DD}	0.265* V_{DD}	V	OCTH = (10)	PRQ-535
Overcurrent threshold 3 low relative to VREF_BIDIR	ΔV_{OCTH3L}	-0.265* V_{DD}	-0.254* V_{DD}	-0.243* V_{DD}	V	OCTH = (10)	PRQ-536
Overcurrent threshold 4 high relative to VREF_BIDIR	ΔV_{OCTH4H}	0.293* V_{DD}	0.304* V_{DD}	0.315* V_{DD}	V	OCTH = (11)	PRQ-537
Overcurrent threshold 4 low relative to VREF_BIDIR	ΔV_{OCTH4L}	-0.315* V_{DD}	-0.304* V_{DD}	-0.293* V_{DD}	V	OCTH = (11)	PRQ-538

1) Not subject to production test, specified by design.

6.4 INTERRUPT pin control

The INTERRUPT pin is set high and latched if one of the following occurs:

- FAILURE bit is set to 1
- OT_WARNING is set to 1
- GEN_INTERRUPT flag is set to 1 (for testing the interrupt signal connection to controller)
- GND_LOSS bit is set to 1
- MEM_FAIL bit is set to 1

Once the INTERRUPT signal has been set high due to a failure or a warning flag, it can be cleared either by:

- Reading the corresponding failure bit via SPI
- Setting the INT_CLEAN bit to 1

If the INTERRUPT signal has been set high via the GEN_INTERRUPT bit, it can be cleared only by setting GEN_INTERRUPT back to 0. INT_CLEAN will not remove that interrupt in this case.

6.5 Electrical characteristics: protection and monitoring

Unless otherwise specified: VBAT and VDD inside the normal operation range; $T_J = -40^{\circ}\text{C}$ to $+150^{\circ}\text{C}$; all voltages are referenced to GND; positive current flowing into pin.

Table 21 Electrical characteristics: protection and monitoring

Parameter	Symbol	Values			Unit	Note or condition	P-Number
		Min.	Typ.	Max.			
MOS voltage blank time							
MOS voltage blank time 1	t_{MOS_BLK1}	8	10	12	μs	¹⁾ Start: gate charge current is activated	PRQ-152
MOS voltage blank time 2	t_{MOS_BLK2}	16	20	24	μs	¹⁾ Start: gate charge current is activated	PRQ-153

(table continues...)

6 Protection and monitoring

Table 21 (continued) Electrical characteristics: protection and monitoring

Parameter	Symbol	Values			Unit	Note or condition	P-Number
		Min.	Typ.	Max.			
MOS voltage blank time 3	t_{MOS_BLK3}	40	50	60	μs	¹⁾ Start: gate charge current is activated	PRQ-154
MOS voltage blank time 4	t_{MOS_BLK4}	80	100	120	μs	¹⁾ Start: gate charge current is activated	PRQ-155

MOS voltage monitoring filter time

MOS voltage filter time 1	t_{MOS_FLT1}	0.4	0.5	0.6	μs	¹⁾	PRQ-295
MOS voltage filter time 2	t_{MOS_FLT2}	0.8	1	1.2	μs	¹⁾	PRQ-296
MOS voltage filter time 3	t_{MOS_FLT3}	1.6	2	2.4	μs	¹⁾	PRQ-297
MOS voltage filter time 4	t_{MOS_FLT4}	4	5	6	μs	¹⁾	PRQ-298

Drain to source monitoring threshold

Positive drain to source monitoring threshold 1	$V_{DSTH_1_POS}$	80	100	120	mV	–	PRQ-82
Negative drain to source monitoring threshold 1	$V_{DSTH_1_NEG}$	-120	-100	-80	mV	–	PRQ-417
Positive drain to source monitoring threshold 2	$V_{DSTH_2_POS}$	120	150	180	mV	–	PRQ-83
Negative drain to source monitoring threshold 2	$V_{DSTH_2_NEG}$	-180	-150	-120	mV	–	PRQ-418
Positive drain to source monitoring threshold 3	$V_{DSTH_3_POS}$	160	200	240	mV	–	PRQ-84
Negative drain to source monitoring threshold 3	$V_{DSTH_3_NEG}$	-240	-200	-160	mV	–	PRQ-419
Positive drain to source monitoring threshold 4	$V_{DSTH_4_POS}$	200	250	300	mV	–	PRQ-85
Negative drain to source monitoring threshold 4	$V_{DSTH_4_NEG}$	-300	-250	-200	mV	–	PRQ-420
Positive drain to source monitoring threshold 5	$V_{DSTH_5_POS}$	240	300	360	mV	–	PRQ-86
Negative drain to source monitoring threshold 5	$V_{DSTH_5_NEG}$	-360	-300	-240	mV	–	PRQ-421
Positive drain to source monitoring threshold 6	$V_{DSTH_6_POS}$	320	400	480	mV	–	PRQ-87
Negative drain to source monitoring threshold 6	$V_{DSTH_6_NEG}$	-480	-400	-320	mV	–	PRQ-422
Positive drain to source monitoring threshold 7	$V_{DSTH_7_POS}$	400	500	600	mV	–	PRQ-88

(table continues...)

6 Protection and monitoring

Table 21 (continued) Electrical characteristics: protection and monitoring

Parameter	Symbol	Values			Unit	Note or condition	P-Number
		Min.	Typ.	Max.			
Negative drain to source monitoring threshold 7	$V_{DSTH_7_NEG}$	-600	-500	-400	mV	–	PRQ-423
Positive drain to source monitoring threshold 8	$V_{DSTH_8_POS}$	480	600	720	mV	–	PRQ-89
Negative drain to source monitoring threshold 8	$V_{DSTH_8_NEG}$	-720	-600	-480	mV	–	PRQ-424

Gate to source monitoring threshold

Gate to source undervoltage threshold rising	$V_{GS_TH_RIS}$	5.8	7	8.5	V	–	PRQ-144
Gate to source undervoltage threshold falling	$V_{GS_TH_FAL}$	5.65	6.6	7.4	V	–	PRQ-495
Gate to source undervoltage threshold hysteresis	$V_{GS_UV_HYS}$	100	400	900	mV	–	PRQ-496

Source overvoltage threshold

VSx overvoltage threshold	V_{S_TH}	3.5	5	6.5	V	–	PRQ-145
---------------------------	-------------	-----	---	-----	---	---	---------

VBAT undervoltage

VBAT_UV switch OFF voltage	$V_{BAT_UV_OFF}$	17.5	18.5	19.5	V	–	PRQ-23
VBAT_UV switch ON voltage	$V_{BAT_UV_ON}$	18	19	20	V	–	PRQ-24
VBAT_UV hysteresis	$V_{BAT_UV_HYS}$	0.3	0.5	0.7	V	–	PRQ-431

VBAT overvoltage

VBAT_OV switch ON voltage	$V_{BAT_OV_ON}$	70	72	74	V	–	PRQ-119
VBAT_OV switch OFF voltage	$V_{BAT_OV_OFF}$	71	73	75	V	–	PRQ-26
VBAT_OV hysteresis	$V_{BAT_OV_HYS}$	0.5	1	2	V	–	PRQ-432

VBAT undervoltage auto-restart duration

Undervoltage auto-restart time 1	$t_{UV_RESTART1}$	0.8	1	1.2	ms	¹⁾	PRQ-309
Undervoltage auto-restart time 2	$t_{UV_RESTART2}$	4	5	6	ms	¹⁾	PRQ-310
Undervoltage auto-restart time 3	$t_{UV_RESTART3}$	16	20	24	ms	¹⁾	PRQ-311

(table continues...)

6 Protection and monitoring

Table 21 (continued) Electrical characteristics: protection and monitoring

Parameter	Symbol	Values			Unit	Note or condition	P-Number
		Min.	Typ.	Max.			
Undervoltage auto-restart time 4	$t_{UV_RESTART4}$	40	50	60	ms	1)	PRQ-312
VBAT overvoltage auto-restart duration							
Overvoltage auto-restart time 1	$t_{OV_RESTART1}$	10	13	16	μ s	1)	PRQ-299
Overvoltage auto-restart time 2	$t_{OV_RESTART2}$	40	50	60	μ s	1)	PRQ-301
Overvoltage auto-restart time 3	$t_{OV_RESTART3}$	160	200	240	μ s	1)	PRQ-302
Overvoltage auto-restart time 4	$t_{OV_RESTART4}$	0.8	1	1.2	ms	1)	PRQ-303
Temperature warning and shutdown							
Thermal warning junction temperature	T_{JW}	110	130	150	$^{\circ}$ C	1)	PRQ-48
Thermal shutdown junction temperature	T_{JSD}	155	175	195	$^{\circ}$ C	1)	PRQ-49
Thermal warning hysteresis	T_{JW_HYS}	–	10	–	K	1)	PRQ-405
Thermal shutdown hysteresis	T_{JSD_HYS}	–	10	–	K	1)	PRQ-406
VDD undervoltage							
VDD_UV switch ON voltage	$V_{DD_UV_ON}$	–	–	2.8	V	–	PRQ-120
Ground loss							
Ground loss	$ V_{GND_LOSS} $	0.18	0.3	0.5	V	–	PRQ-507

1) Not subject to production test, specified by design.

7 SPI

The device provides a SPI communication slave which uses the input lines SCLK, CSN and MOSI and the output line MISO.

The SPI uses a 16-bit protocol which transfers the MSB first and provides a daisy chain capability with other 16-bit SPI devices.

Any 16-bit data transfer starts by a falling edge on CSN.

While CSN is low, the incoming data on MOSI is sampled on the falling edge of SCLK while the outgoing data on MISO is shifted out on the rising edge of SCLK.

Each 16-bit data transfer is terminated by a rising edge on CSN.

The SPI includes a modulo 16 counter ensuring that data is taken only when a multiple of 16 bit has been transferred.

In case a wrong number of bit is transferred, or a wrong number of clock cycles is propagated, the SPI interface will generate a transmission error and it will not accept the data that has been just sent.

The system microcontroller selects the device by means of the CSN pin.

If CSN is high, the SPI ignores any signals at the SCLK and MOSI pins and forces the pin MISO into a high impedance state.

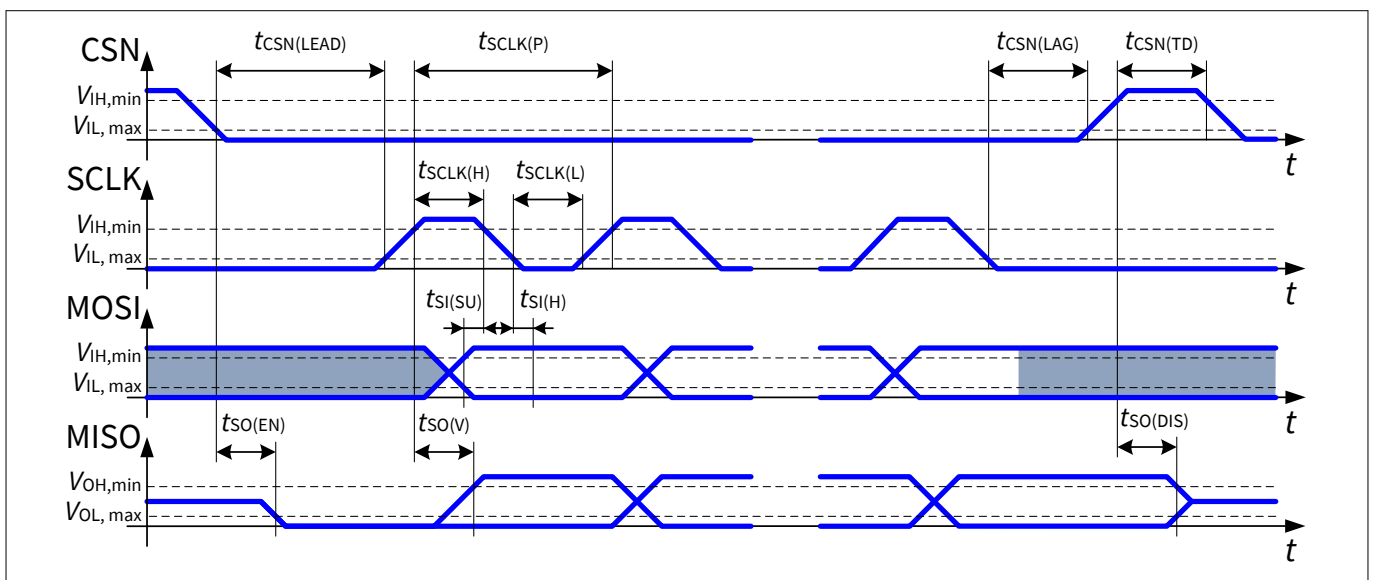


Figure 10 SPI timings

7.1 Communication start

While CSN is low, data transfer can take place.

If CSN changes from high to low and SCLK is low for t_{CSN LEAD} or longer:

- The SPI transfers the information requested in the previous communications into the shift buffer
- The pin MISO changes from high impedance state to low state within t_{SO(EN)}
- The modulo16 counter starts counting SCLK clocks

Note: CSN has to be kept low during the transfer of the whole communication frame.

If SCLK changes from low to high while CSN is low:

- The MISO signals the bit shifted out of the shift buffer (first clock the MSB) after t_{SO(V)}

If SCLK changes from high to low while CSN is low:

- The data bits are shifted for one position to the MSB direction

7 SPI

- The MOSI signal is read into the shift buffer (at the LSB position) within $t_{SI(H)}$
- The modulo 16 counter is increased by 1

The SPI MOSI input has to be valid $t_{SI(SU)}$ before the falling edge of SCLK.

The clock circles with write, read and shift function have to be repeated, until the whole frame is read into the shift buffer (e.g. 16 repetitions for one SPI buffer).

7.2 Communication end

If CSN rises from low to high and the SCLK is low since $t_{CSN(LAG)}$, the value of the modulo 16 counter is checked.

If the modulo 16 counter signals a multiple (1,2,3...) of 16 SCLK clocks, the shift buffer data is executed as command (e.g. writing into the addressed register) within $t_{CSN(TD)}$.

MISO signals switches to high impedance within $t_{SO(DIS)}$ after CSN went high.

The SPI interface is ready to start a new transfer with a CSN to low transition if the time $t_{CSN(TD)}$ elapsed after the CSN went high.

7.3 SPI: electrical characteristics: timings

Unless otherwise specified: VBAT and VDD inside the normal operation range; $T_j = -40^{\circ}\text{C}$ to $+150^{\circ}\text{C}$.

Table 22 SPI electrical characteristics: timings

Parameter	Symbol	Values			Unit	Note or condition	P-Number
		Min.	Typ.	Max.			
Transfer delay time	$t_{CSN(TD)}$	400	–	–	ns	1)	PRQ-370
Enable lead time	$t_{CSN(LEAD)}$	200	–	–	ns	1)	PRQ-371
Enable lag time	$t_{CSN(LAG)}$	200	–	–	ns	1)	PRQ-372
Output enable time	$t_{SO(EN)}$	–	100	150	ns	1) $C_{load} = 100 \text{ pF}$	PRQ-373
Output disable time	$t_{SO(DIS)}$	–	100	150	ns	1) $C_{load} = 100 \text{ pF}$	PRQ-374
Serial clock high time	$t_{SCLK(H)}$	90	–	–	ns	1)	PRQ-375
Serial clock low time	$t_{SCLK(L)}$	90	–	–	ns	1)	PRQ-376

SPI frequency

Serial clock frequency	f_{SCLK}	0.5	–	5	MHz	1)	PRQ-377
Serial input setup time	$t_{SI(SU)}$	20	–	–	ns	1)	PRQ-426
Serial input hold time	$t_{SI(H)}$	20	–	–	ns	1)	PRQ-427
Serial output valid time	$t_{SO(V)}$	–	100	150	ns	1) $C_{load} = 100 \text{ pF}$	PRQ-428
SCLK duty cycle	DC_{SCLK}	47	50	53	%	1)	PRQ-478

1) Not subject to production test, specified by design.

7.4 Daisy Chain

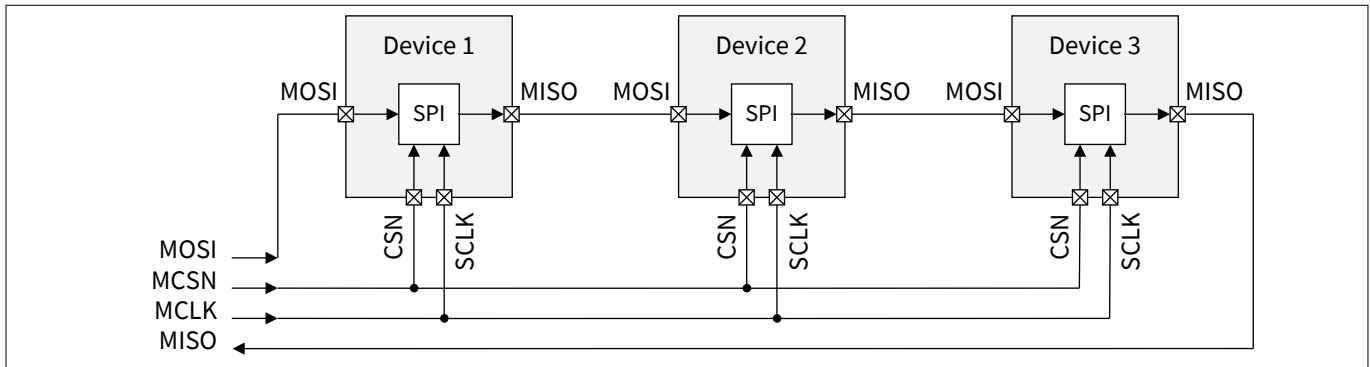


Figure 11 Daisy chain capability

The SPI of the device provides daisy chain capability for modulo 16 bit SPI devices. In this configuration several devices are activated by the same CSN signal, called MCSN. The MOSI line of one device is connected with the MISO line of another device (see Figure 11), in order to build a chain. The end of the chain is connected to the input of the microcontroller, the output of the microcontroller to the beginning of the chain. The master device provides the master clock MCLK which is connected to the SCLK line of each device in the chain.

The microcontroller must set the MCSN to low and start the communication with a multiple of 16 bit data, the multiplier is the number of chained devices. The first data sent goes to the last devices (device 3 in Figure 11) with the last bit transferred. After the communication is finished the MCSN must go to high again.

Note: A wrong number of master serial clocks will generate a transmission error from all devices in the chain.

7.5 SPI Protocol

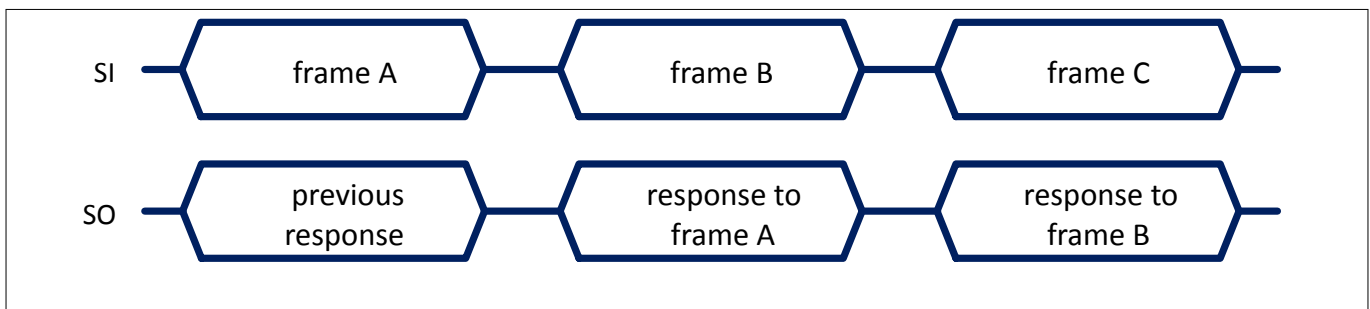


Figure 12 Command response sequence

The SPI protocol provides the answer to a command frame only with the next transmission triggered by the microcontroller.

The relationship between MOSI and MISO content during SPI communication is shown in Figure 12.

MOSI line represents the frame sent from the microcontroller and MISO line is the answer provided by the gate driver SPI. The “previous response” means that the frame sent back depends on the command frame sent from the microcontroller before.

The responses of write commands are deterministic and are reporting the default diagnosis register.

The responses of a read command are the required register.

In case of transmission error the default response is the diagnosis register with the transmission error bit set to 1.

The SPI word is 16 bit wide and is structured according to the following tables.

8 Register specification

Word from microcontroller:

Read/Write	Address							Data							
R/W	A6/nu	A5	A4	A3	A2	A1	A0	D7	D6	D5	D4	D3	D2	D1	D0

Response from SPI interface :

Trans ERROR	Address							Data							
TER	A6/nu	A5	A4	A3	A2	A1	A0	D7	D6	D5	D4	D3	D2	D1	D0

A6..A0 are used to address a register, D7..D0 are data.

Note: Bit A6 is reserved for future use (default value 0).

The microcontroller can access to the SPI registers using the 16 bit word as described below.

Write procedure :

- Set MSB to 1 (read/write bit)
- Addressing the register using A [6...0]
- Preparing the data in Data [7 ... 0]

Read procedure:

- Set MSB to 0 (read/write bit)
- Addressing the register using A [6...0]
- Data bits are don't care

Any communication of the microcontroller with the SPI interface is responded by the SPI interface.

In any case the response will report the transmission error bit TER as MSB representing the validity of the previous communication.

Table 23 TER bit

TER bit	Communication status
1	Error in the previous communication
0	No error in the previous communication

After a reset as described in [Chapter 4.2.4](#), the TER bit in the response to the first command is set high, to inform the master that this is the first communication.

Beside the TER bit, the response to a microcontroller communication contains:

- In case of a write command: the standard diagnosis (address 00000b).
- In case of a read command: the data in the addressed register. In this case, the answer will contain both the address of the register and the data there contained.

The answer is on the next frame, as explained in [Figure 12](#).

The first response after power on is by default the standard diagnosis register content. Within the information the V_{DD_UV} is set to 1 in order to inform about the power off situation before the communication.

8 Register specification

8.1 Control registers

8 Register specification

Address	RW	D7	D6	D5	D4	D3	D2	D1	D0	Register Name	Register Functions
0	R	FAILURE	VCP_READY	MEM_FAIL	OT_WARNING	TSD	VDD_UV	VBAT_UV	VBAT_OV	STDIAG	General diagnosis (battery voltage status, VDD undervoltage, overtemperature, warning temperature, overcurrent, cp_ready, power management ok)
1	R	VCP_UV	ITRIP	VGSTH_B	VDSTRIP_B	VSOURCE_B	VGSTH_A	VDSTRIP_A	VSOURCE_A	CHDIAG	Channel specific diagnosis (gate source voltage, drain source voltage, source overvoltage)
2	R				LOG_A	LOG_D	LOG_CP	ADD_NOT_AV	SAFESTATEN	DIAG	Diagnosis
3	WR	CHCRCTRL	ITRIP_CL	VGSTH_B_CL	VDSB_CL	MOSONCH_B	VGSTH_A_CL	VDSA_CL	MOSONCH_A	MOS_CHS_CTRL	Channels A and B activation and cleaning related failure
4	W	VCP_UV_CL		SAFESTATE_CL	INT_CLEAN	TSD_CL	VDD_UV_CL	VBATUV_CL	VBATOV_CL	FAILURE_CLEAN	Clean failures
5	WR	VDSB_SS				VDSA_SS		VDSTH_A		VDSTHA_B	Drain-source overvoltage threshold - channel A and channel B
6	WR	MOSBLK_B				MOSBLK_A		MOSFLT_A		MOSFLTBLKA_B	MOS voltage filter and blank time - channel A and channel B
7	WR		CSA_OUTSEL	CSA_HSS		OCTH		CSAG		CSAG_OCTH	Current sense amplifier gain G_{DIFF} and overcurrent detection thresholds
8	WR					VBATUVARST		VBATOVARST		VBATOVUVRST	VBAT overvoltage and undervoltage auto-restart time
9	W			FAIL_RST_1	SFT_RST_1		GEN_INTERRUPT	FAIL_RST_0	SFT_RST_0	RESETS	Reset Register
10	WR	SPARE_7	SPARE_6	SPARE_5	SPARE_4	SPARE_3	SPARE_2	SPARE_1	SPARE_0	SPARE_REG	Spare Register

Figure 13 Registers overview

8 Register specification

Table 24 Bit descriptions

Register Name	Bit	Bit name	Description
STDIAG	7	FAILURE	Main failure indication, 1 when there is a failure
	6	VCP_READY	Charge pump is ready
	5	MEM_FAIL	Error in the memory, trimming not possible (flag cannot be cleaned)
	4	OT_WARNING	Temperature warning
	3	TSD	Chip in overtemperature (latched)
	2	VDD_UV	VDD undervoltage propagated in the first command and indicates an under voltage event
	1	VBAT_UV	VBAT undervoltage failure (not latched)
	0	VBAT_OV	VBAT overvoltage failure (not latched)
CHDIAG	7	VCP_UV	Charge pump undervoltage
	6	ITRIP	Overcurrent failure (latched)
	5	VGSTH_B	Gate-source undervoltage - channel B (latched)
	4	VDSTRIP_B	Drain to source overvoltage - channel B (latched)
	3	VSOURCE_B	Source overvoltage - channel B
	2	VGSTH_A	Gate-source undervoltage - channel A (latched)
	1	VDSTRIP_A	Drain to source overvoltage - channel A (latched)
	0	VSOURCE_A	Source overvoltage - channel A
DIAG	4	LOG_A	Loss of ground connection on AGND
	3	LOG_D	Loss of ground connection on GND
	2	LOG_CP	Loss of ground connection on CPGND
	1	ADD_NOT_AVAIL	Address not available
	0	SAFESTATEN	Reflection of the SAFESTATEN pin
MOS_CHS_CTRL	7	CHCRCTRL	Channel cross control activation
	6	ITRIP_CL	Clear ITRIP flag
	5	VGSTH_B_CL	Clear VGS flag channel B
	4	VDSB_CL	Clear VDS flag channel B
	3	MOSONCH_B	Switch on channel B
	2	VGSTH_A_CL	Clear VGS flag channel A
	1	VDSA_CL	Clear VDS flag channel A
	0	MOSONCH_A	Switch on channel A
FAILURE CLEAN	7	VCP_UC_CL	Clear charge pump undervoltage failure
	5	SAFESTATE_CL	Clear Safestate failure
	4	INT_CLEAN	Clear interrupt
	3	TSD_CL	Clear overtemperature failure

(table continues...)

8 Register specification

Table 24 (continued) Bit descriptions

Register Name	Bit	Bit name	Description
	2	VDD_UV_CL	Clear VDD undervoltage failure
	1	VBATUV_CL	Clear VBAT overvoltage failure
	0	VBATOV_CL	Clear VBAT undervoltage failure
VDSTHA_B	7	VDSB_SS	VDS channel B safe state on when 1. VDS safe state off when 0.
	[6:4]	VDSTH_B	Drain-source overvoltage threshold channel B
	3	VDSA_SS	VDS channel A safe state on when 1. VDS safe state off when 0.
	[2:0]	VDSTH_A	Drain-source overvoltage threshold channel A
MOSFLTBLKA_B	[7:6]	MOSBLK_B	MOS voltage blank time channel B
	[5:4]	MOSFLT_B	MOS voltage filter time channel B
	[3:2]	MOSBLK_A	MOS voltage blank time channel A
	[1:0]	MOSFLT_A	MOS voltage filter time channel A
CSAG_OCTH	6	CSA_COUTSEL	Configures the current sense amplifier output stage depending on the output capacitor
	5	CSA_HSS	Control signal to select the CSA configuration LSS or HSS (or bidirectional)
	[4:3]	OCTH	Overcurrent detection thresholds
	[2:0]	CSAG	Current sense amplifier gain G_{DIFF}
VBATOVUVRST	[3:2]	VBATUVRST	VBAT undervoltage auto-restart time
	[1:0]	VBATOVARST	VBAT overvoltage auto-restart time
RESETS	5	FAIL_RST_1	Reset Fails registers 1
	4	SFT_RST_1	Software Reset 1
	2	GEN_INTERRUPT	Generate interrupt signal
	1	FAIL_RST_0	Reset Fails registers 0
	0	SFT_RST_0	Software Reset 0
SPARE_REG	7	SPARE_7	Spare register bit 7
	6	SPARE_6	Spare register bit 6
	5	SPARE_5	Spare register bit 5
	4	SPARE_4	Spare register bit 4
	3	SPARE_3	Spare register bit 3
	2	SPARE_2	Spare register bit 2
	1	SPARE_1	Spare register bit 1
	0	SPARE_0	Spare register bit 0

9 Application information

9.1 48 V battery protection switch with low-side current sense and capacitive pre-charge

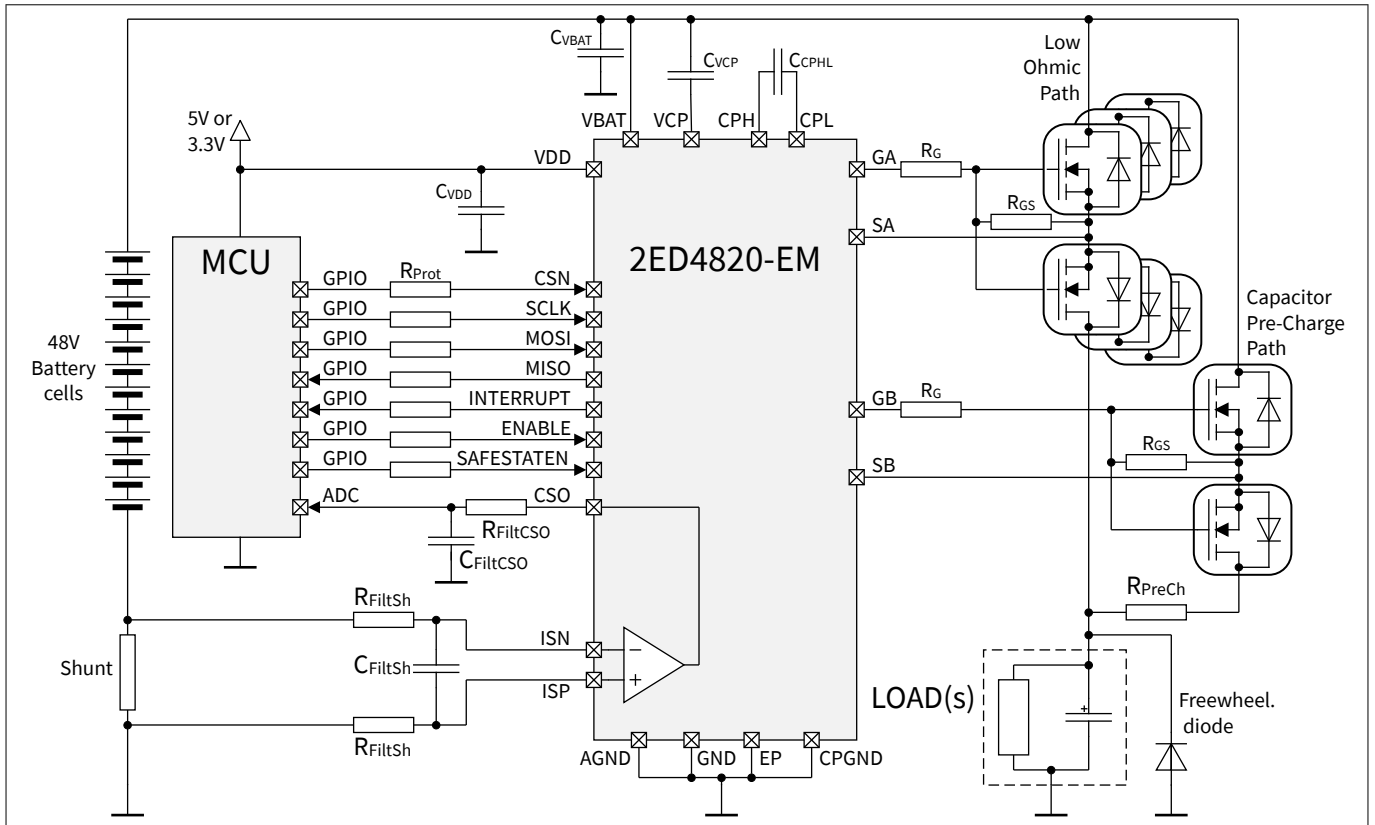


Figure 14 48 V battery protection switch application diagram

9 Application information

9.2 Common drain with high-side current sense

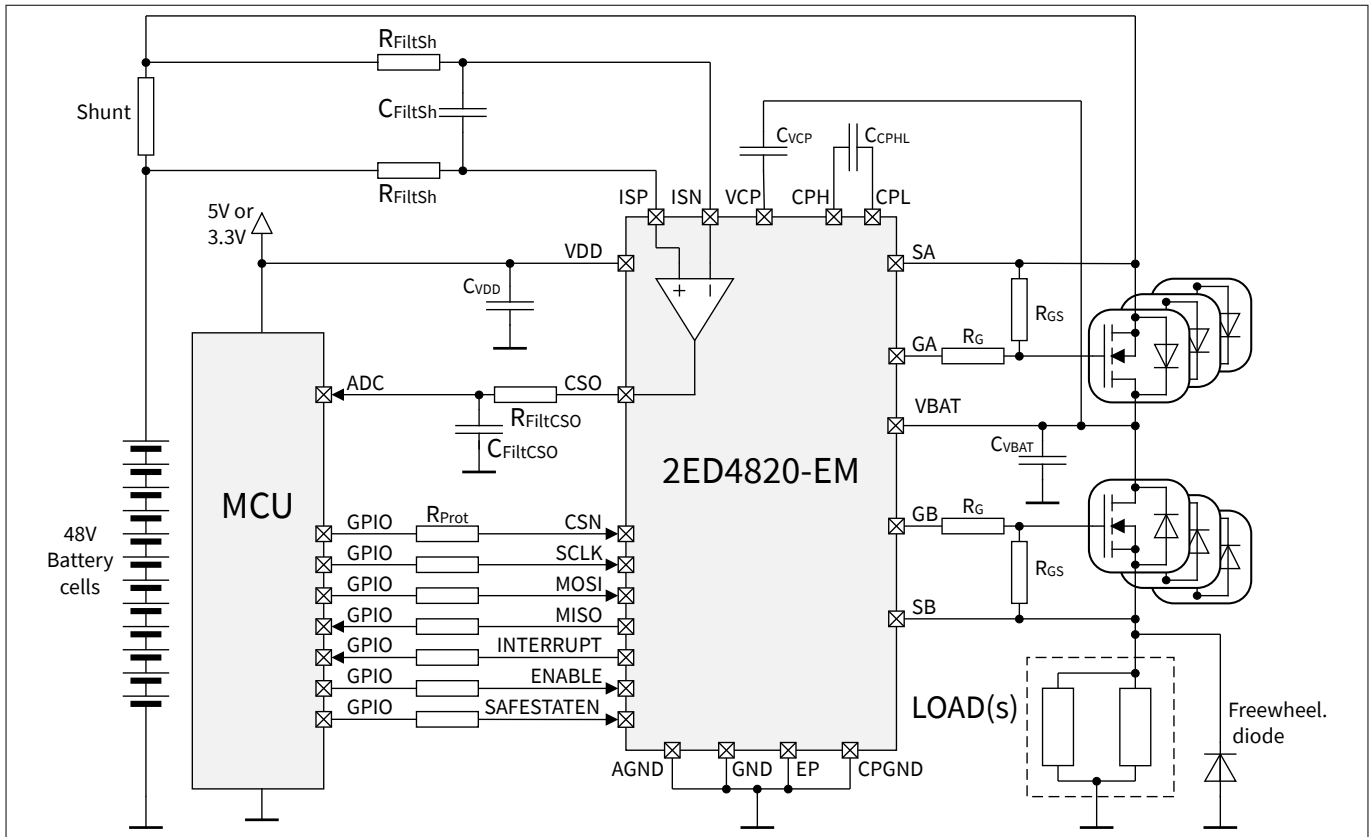


Figure 15 Common drain with high-side current sense application diagram

9.3 Bill of material

Supply pins have to be decoupled with ceramic capacitors, positioned as follows:

- C_{VBAT} close to VBAT and AGND pins
- C_{VDD} close to VDD and GND pins
- C_{VCP} close to VCP and VBAT pins

Table 25 Bill of material

Reference	Value	Purpose
R_{Prot}	1.0 k Ω	Protection of the microcontroller
C_{VDD}	1.0 μ F	Supply decoupling; on layout, located close to the VDD & GND pins
C_{VBAT}	4.7 μ F + 220 nF	Supply decoupling; on layout, located close to the VBAT & AGND pins
C_{VCP}	2.2 μ F	Charge pump output capacitor - value depends on number of MOSFETs to drive
C_{CPHL}	220 nF	Charge pump capacitor
R_G	10.0 Ω	Gate protection resistor
R_{GS}	150.0 k Ω	Gate to source pull-down resistor
R_{PreCh}	10.0 Ω	Power resistor limiting the capacitor pre-charge current

(table continues...)

9 Application information

Table 25 (continued) Bill of material

R_{FiltCSO}	10.0 k Ω	Protection of the microcontroller and low pass filter on current sense output
C_{FiltCSO}	10 nF	Low pass filter on current sense output - value depends on bandwidth required
R_{FiltSh}	4.7 Ω	Filter to cancel the inductive part of the shunt - value depends on Shunt
C_{FiltSh}	1 μF	Filter to cancel the inductive part of the shunt - value depends on Shunt

10 Package

10 Package

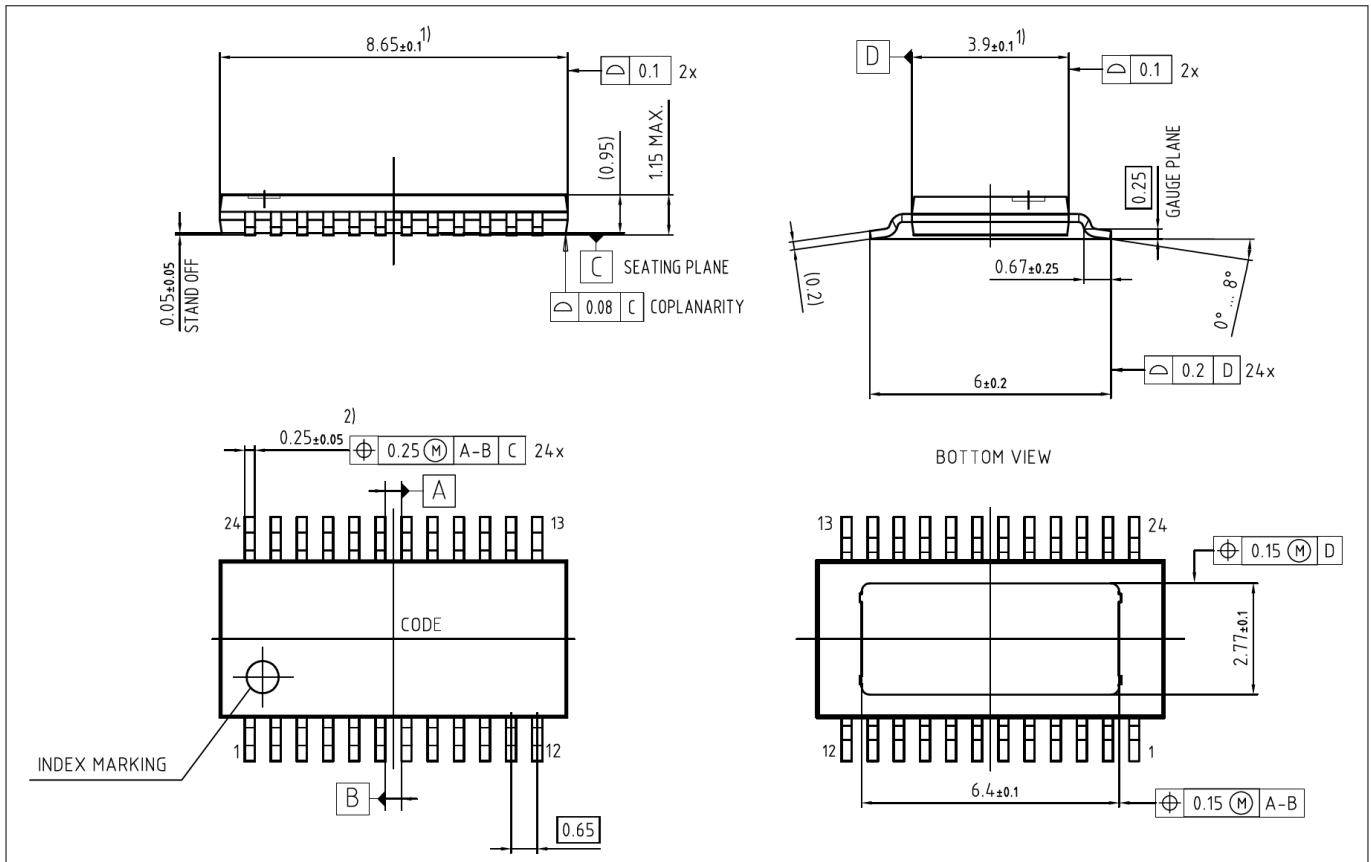


Figure 16 Package dimensions

To meet the world-wide customer requirements for environmentally friendly products and to be compliant with government regulations the device is available as a green product. Green products are RoHS-Compliant (i.e. Pb-free finish on leads and suitable for Pb-free soldering according to IPC/JEDEC J-STD-020).

Revision history

Revision history

Document version	Date of release	Description of changes
Rev. 1.00	2021-07-23	<ul style="list-style-type: none">• Datasheet creation

Trademarks

All referenced product or service names and trademarks are the property of their respective owners.

Edition 2021-07-23

Published by

Infineon Technologies AG

81726 Munich, Germany

© 2021 Infineon Technologies AG

All Rights Reserved.

Do you have a question about any aspect of this document?

Email: erratum@infineon.com

Document reference

IFX-wrl1623741697453

IMPORTANT NOTICE

The information given in this document shall in no event be regarded as a guarantee of conditions or characteristics ("Beschaffheitsgarantie").

With respect to any examples, hints or any typical values stated herein and/or any information regarding the application of the product, Infineon Technologies hereby disclaims any and all warranties and liabilities of any kind, including without limitation warranties of non-infringement of intellectual property rights of any third party.

In addition, any information given in this document is subject to customer's compliance with its obligations stated in this document and any applicable legal requirements, norms and standards concerning customer's products and any use of the product of Infineon Technologies in customer's applications.

The data contained in this document is exclusively intended for technically trained staff. It is the responsibility of customer's technical departments to evaluate the suitability of the product for the intended application and the completeness of the product information given in this document with respect to such application.

WARNINGS

Due to technical requirements products may contain dangerous substances. For information on the types in question please contact your nearest Infineon Technologies office.

Except as otherwise explicitly approved by Infineon Technologies in a written document signed by authorized representatives of Infineon Technologies, Infineon Technologies' products may not be used in any applications where a failure of the product or any consequences of the use thereof can reasonably be expected to result in personal injury.