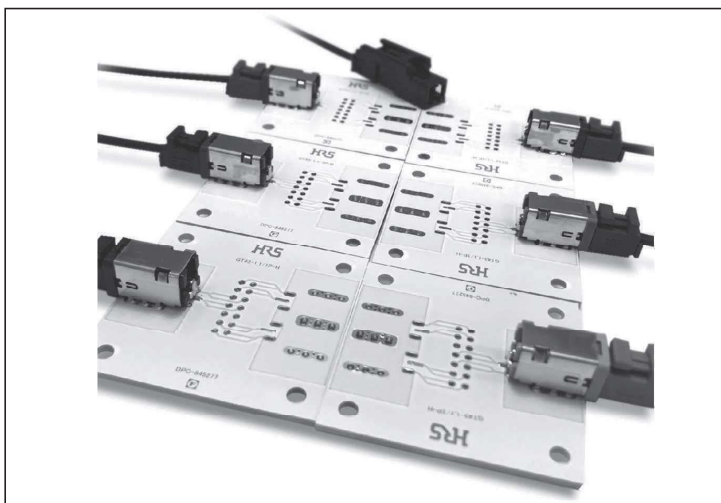


GT43 Series

— Supports LVDS, Shielded Coaxial Connector —



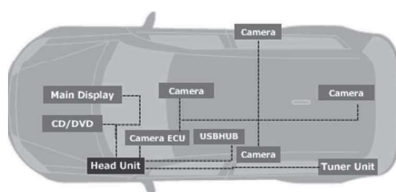
■ Features

1. Compact and space-saving design
2. Noise-resistant (conducted various noise evaluations)
3. Six key variations
4. Supports One-step crimp termination
5. High frequency characteristics: 3GHz

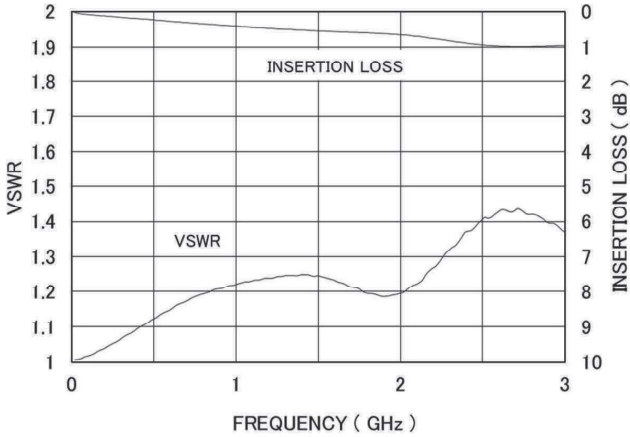
* For applications other than for video, consider using GT21 or GT36S.

■ Applications

Variety of applications, primarily for camera image transmission.



High Frequency Characteristics



Product Specifications

Rated current	1A
Rated voltage	50V DC
Operating temperature range	-40 to 105°C (Includes the temperature rise due to current flow.)
Insulation resistance	100MΩ min (500V DC)
Withstanding voltage	500V AC for 1 min.
Contact resistance	AC 50mΩ Max.
Mating/un-mating cycles	30 cycles

Material and finish

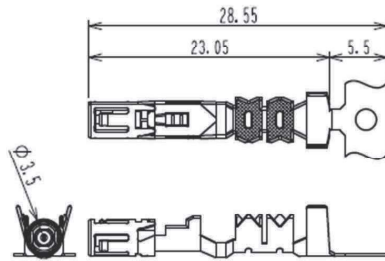
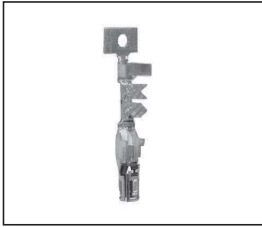
	Receptacle		Plug		Jack	
	Material	Finish	Material	Finish	Material	Finish
Housing	PA	Black*	PBT	Black*	PBT	Black In-line type in black only
Center contact	Brass	Tin plating	Copper alloy	Tin plating	Copper alloy	Tin plating
External terminal	Brass	Tin plating	Copper alloy	Tin plating	Copper alloy	Tin plating
Insulator	PA	Black	PA	Black	PA	Black
Shield case	Copper alloy	Tin plating	-	-	-	-
Retainer	-	-	PBT	Dark gray	PBT	Dark gray

* Available in six color variations: black, brown, green, blue, gray, and purple. Standard color is black.

Jun. 1. 2021 Copyright 2021 HIROSE ELECTRIC CO., LTD. All Rights Reserved.

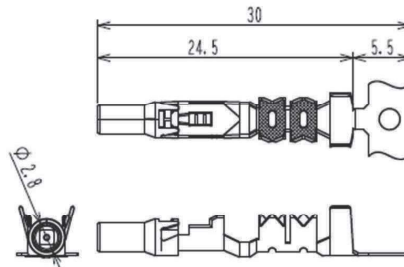
GT5 GT13 GT16 GT19 FH65 FH40 FH63S FH67

■ Coaxial Cable Terminal for F Connector



Part No.	HRS No.	Material and finish or color	Conductor size	Insulator outer diameter	Jacket outer diameter	Sales unit	RoHS
GT43-2428/1.6-2.9SCF	753-1003-0	Insulator: PPS/Black Center terminal: Phosphor bronze/Tin plating Outer terminal: Phosphor bronze/Tin plating	24-28 AWG	ø1.5 -2.0	ø2.6 -3.1	2,500 pcs/reel	○

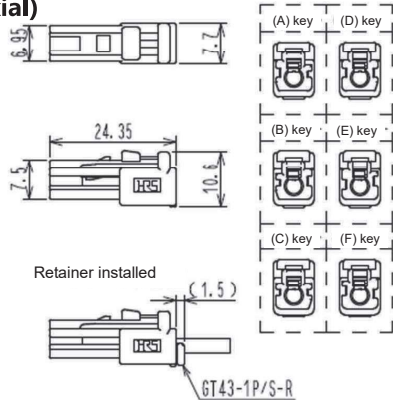
■ Coaxial Cable Terminal for M Connector



Part No.	HRS No.	Material and finish or color	Conductor size	Insulator outer diameter	Jacket outer diameter	Sales unit	RoHS
GT43-2428/1.6-2.9PCF	753-1004-0	Insulator: PPS/Black Center terminal: Brass/Tin plating Outer terminal: Phosphor bronze/Tin plating	24-28 AWG	ø1.5 -2.0	ø2.6 -3.1	2,500 pcs/reel	○

* For crimping tools, please contact your Hirose Electric account representative.

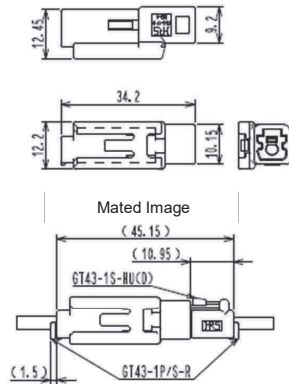
■ Housing for F Connector (1 Coaxial)



Part No.	HRS No.	Material	Color	Key Position	Sales Unit	RoHS
GT43-1S-HU(A)	753-1002-0	PBT	Brown	(A)	1000	○
GT43-1S-HU(B)	753-1008-0		Green	(B)		
GT43-1S-HU(C)	753-1009-0		Blue	(C)		
GT43-1S-HU(D)	753-1010-0		Black	(D): Standard		
GT43-1S-HU(E)	753-1011-0		Dark gray	(E)		
GT43-1S-HU(F)	753-1012-0		Violet	(F)		

* Applicable terminal: Coaxial terminal for GT43 Series F connector
 * Use together with retainer (GT431-1P/S-R) sold separately.

■ Housing for M Connector (1 Coaxial)

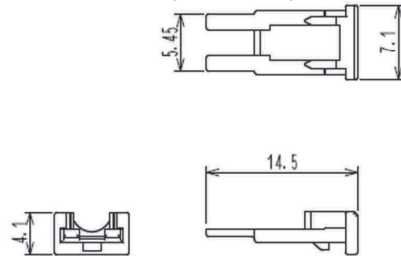


Part No.	HRS No.	Material	Color	Key Position	Sales Unit	RoHS
GT43-1PP-HU(D)	753-1006-0	PBT	Black	(D): Standard	500	○

* Applicable terminal: Coaxial terminal for GT43 Series M connector
 * Use together with retainer (GT431-1P/S-R) sold separately.
 * Please ask for a reference drawing for recommended mounting bracket dimensions.

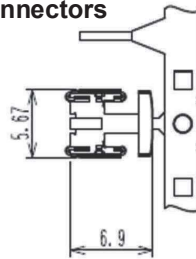
Jun. 1, 2021 Copyright 2021 HIROSE ELECTRIC CO., LTD. All Rights Reserved. GT5 GT13 GT16 GT19 GT43 FH65 FH40 FH35 FH67

■ Common Retainer for F and M Connectors (1 Coaxial)



Part No.	HRS No.	Material	Color	Sales unit	RoHS
GT43-1P/S-R	753-1007-0	PBT	Dark Gray	2000	○

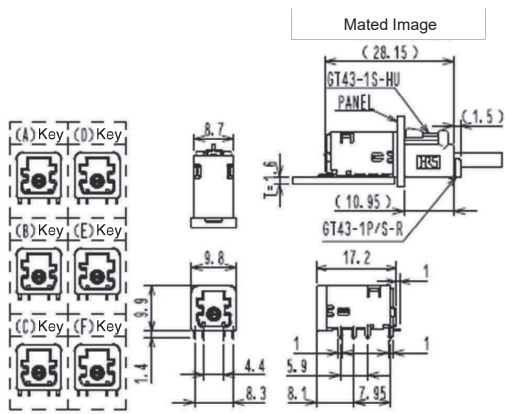
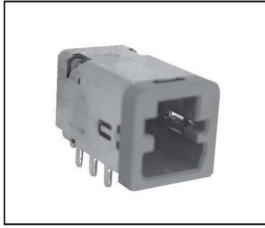
■ Common Shield Plate for F and M Connectors



Part No.	HRS No.	Material and finish or color	Sales unit	RoHS
GT43-1P/S-CSB	753-1005-0	Insulator: LCP/Black Terminal: Brass/Tin plating	2 reels (2,450 pcs/reel)	○

* Applicable terminal: Coaxial terminal for GT43 Series F and M connectors

■ Board Connector (1 Coaxial, Lead Reflow type)

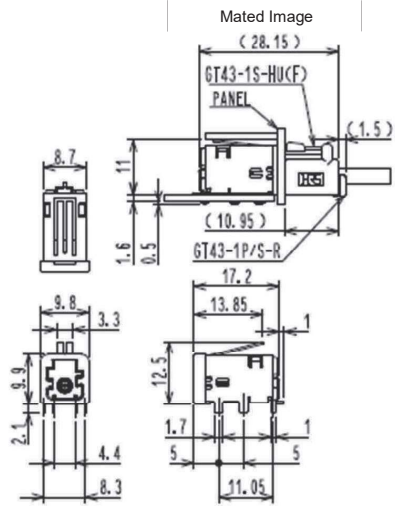


* Please ask for a reference drawing for recommended board mounting patterns.

Part No.	HRS No.	Material and finish or color	Color	Key position	Sales unit	RoHS
GT43-1P-H(A)	753-1001-0	Housing: PA Insulator: PA/Black Center terminal: Brass/Tin plating Outer terminal: Brass/Tin plating Shield case: Copper alloy/Tin plating	Brown	(A)	1	○
GT43-1P-H(B)	753-1013-0		Green	(B)		
GT43-1P-H(C)	753-1014-0		Blue	(C)		
GT43-1P-H(D)	753-1015-0		Black	(D): Standard		
GT43-1P-H(E)	753-1016-0		Dark Gray	(E)		
GT43-1P-H(F)	753-1017-0		Violet	(F)		

GT5
GT13
GT16
GT19
GT43 reserved.
Hirose Electric Co., Ltd. All Rights Reserved.
Copyright 2021 Hirose Electric Co., Ltd.
FH65
FH40
FH35
FH67

■ Board Connector (1 Coaxial, Lead Reflow / GND Connection type)



* Please ask for a reference drawing for recommended board mounting patterns.

Part No.	HRS No.	Material and finish or color	Color	Key position	Sales unit	RoHS
GT43D-1P-H(F)	753-1018-0	Housing: PA Insulator: PA/Black Center terminal: Brass/Tin plating Outer terminal: Brass/Tin plating Shield case: Copper alloy/Tin plating	Violet	(F)	1	○

Please refer to our cable termination procedure manual for performing terminations.