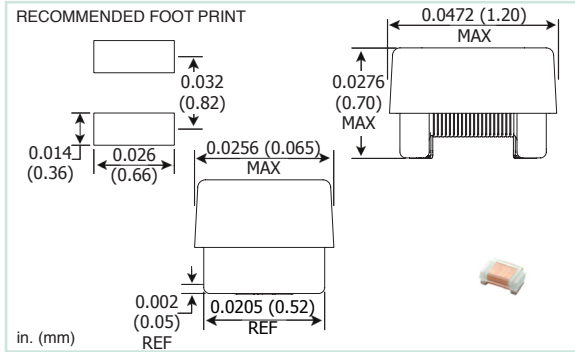


CC0402 ROHS COMPLIANT

Ceramic, Open Construction Chip Inductor

Outgassing Tested per ASTM E595 (*)



NOTES:

- **Operating Temperature Range:** -55°C to +125°C
- **Current Rating** is based on a 35°C temperature rise at an ambient temperature of 90°C
- **Weight Max:** < 0.05 grams
- Suitable for Reflow soldering
- Flat Top Cover for Pick and Place
- Excellent for high frequency applications
- * Meets a TML (Total Mass Loss) requirement of 1.0% maximum when testing in accordance with ASTM E595; this calculation does not include WVR (Water Vapor Recovered)
- When ordering, specify **tolerance:**

	CC0402-0009G
--	--------------
- Tolerance:** **M** = 20%, **K** = 10%, **J** = 5%, **G** = 2%
(Table shows lowest standard tolerance option)
*Optional tolerances are available; contact factory
- Termination:** Gold Plated Nickel
- Custom designs are available to meet your specific requirements; please contact factory

TAPE AND REEL SPECS:

Pcs./Reel maximum:	2000
Pitch between parts:	4 mm
Tape width:	8 mm
Reel diameter:	7 in.

PART NUMBER	L nH	L&Q TEST FREQ MHz	Q FREQ MHz	SRF MHz MIN	DCR Ω NOM	CURRENT RATING mA DC
CERAMIC CORE						
CC0402-0009G	0.9	250	11	6000	0.040	1020
CC0402-0010G	1.0	250	11	6000	0.070	525
CC0402-0012G	1.2	250	11	6000	0.110	525
CC0402-0018G	1.8	250	16	6000	0.070	780
CC0402-0019G	1.9	250	16	6000	0.070	780
CC0402-0020G	2.0	250	16	6000	0.070	780
CC0402-0022G	2.2	250	14	6000	0.110	480
CC0402-0024G	2.4	250	16	6000	0.120	480
CC0402-0025G	2.5	250	16	6000	0.120	480
CC0402-0027G	2.7	250	16	6000	0.135	480
CC0402-0029G	2.9	250	16	6000	0.125	525
CC0402-0033G	3.3	250	20	6000	0.100	525
CC0402-0036G	3.6	250	19	6000	0.100	525
CC0402-0039G	3.9	250	19	4800	0.100	525
CC0402-0043G	4.3	250	18	6000	0.091	525
CC0402-0047G	4.7	250	15	4775	0.130	480
CC0402-0051G	5.1	250	23	4800	0.105	600
CC0402-0056G	5.6	250	22	4800	0.110	570
CC0402-0062G	6.2	250	20	4800	0.110	570
CC0402-0068G	6.8	250	21	4800	0.100	510
CC0402-0075G	7.5	250	24	4800	0.100	510
CC0402-0082G	8.2	250	24	4400	0.100	510
CC0402-0087G	8.7	250	22	4160	0.160	509
CC0402-0090G	9.0	250	22	4160	0.160	509
CC0402-0091G	9.1	250	22	4000	0.200	360
CC0402-0095G	9.5	250	22	4000	0.200	360
CC0402-010G	10	250	21	3900	0.200	360
CC0402-011G	11	250	24	3680	0.17	480
CC0402-012G	12	250	24	3600	0.17	480
CC0402-013G	13	250	24	3600	0.17	480
CC0402-015G	15	250	24	3280	0.17	420
CC0402-016G	16	250	24	3100	0.22	420
CC0402-018G	18	250	25	3100	0.23	315
CC0402-019G	19	250	24	3040	0.24	360
CC0402-020G	20	250	25	3000	0.25	315
CC0402-022G	22	250	25	2800	0.30	300
CC0402-023G	23	250	22	2720	0.30	300
CC0402-024G	24	250	22	2480	0.30	300
CC0402-027G	27	250	24	2480	0.30	300
CC0402-030G	30	250	24	2350	0.33	300
CC0402-033G	33	250	24	2350	0.30	240
CC0402-036G	36	250	24	2320	0.44	240
CC0402-039G	39	250	25	2100	0.55	150
CC0402-040G	40	250	25	2100	0.83	112
CC0402-043G	43	250	25	2100	0.75	112
CC0402-047G	47	250	25	2100	0.83	112
CC0402-051G	51	250	25	1760	0.97	75
CC0402-056G	56	250	25	1760	0.97	75
CC0402-068G	68	250	25	1620	1.2	75
CC0402-072G	72	100	15	1070	1.2	60
CC0402-100G	100	100	15	1070	1.2	60
CC0402-120G	120	100	12	580	1.3	56.25
CC0402-130G	130	100	10	450	1.3	56.25
CC0402-150G	150	100	13	400	1.3	45
CC0402-180G	180	50	10	380	1.5	48.75
CC0402-200G	200	50	10	400	1.5	37.5
CC0402-220G	220	50	10	190	2.0	37.5

CC0402 RoHS COMPLIANT

Ceramic, Open Construction Chip Inductor

Outgassing Tested per ASTM E595 (*)

