

# MPTS

## DC Link Metalized Polypropylene Film



### FEATURES

High Capacitance - High Voltage - Low Profile

### APPLICATIONS

Induction Heaters - DC link - AC/DC motor Drives - Solar and Wind inverters

<b>Operating Temperature Range</b>	<b>-40°C to +85°C</b>			
<b>Capacitance Tolerance</b>	+10% at 1 kHz, 25°C			
<b>VDC</b>	<b>800</b>	<b>1000</b>	<b>1200</b>	<b>1400</b>
<b>VAC</b>	<b>230</b>			
<b>Dissipation Factor Tan δ at 100 Hz and 25°C</b>	0.0002 MAX			
<b>Insulation Resistance</b>	≤5000 MΩxμF			
	After 1 minute of 100VDC applied between the terminals at 25°C			
<b>Self Inductance</b>	See part listing			
<b>Dielectric Strength</b>	<b>Terminal to Terminal</b>		<b>Terminal to case</b>	
	150% of VDC applied for 10 Seconds and 25°C		4KVAC at 50/60 Hz applied between the terminals and case for 60 Seconds and 25°C	
<b>Construction</b>	Metallized Polypropylene film			
<b>Electrodes</b>	Vacuum deposited Metal layers			
<b>Coating</b>	Flame retardant Solvent resistant plastic case (UL 94V-0) with epoxy end fill			
<b>Impregnant</b>	Silicone oil			
<b>Lead terminations</b>	Lead free tinned brass leads			

Americas / EU  
Phone: 1-508-996-8561  
Email: cdena@cde.com

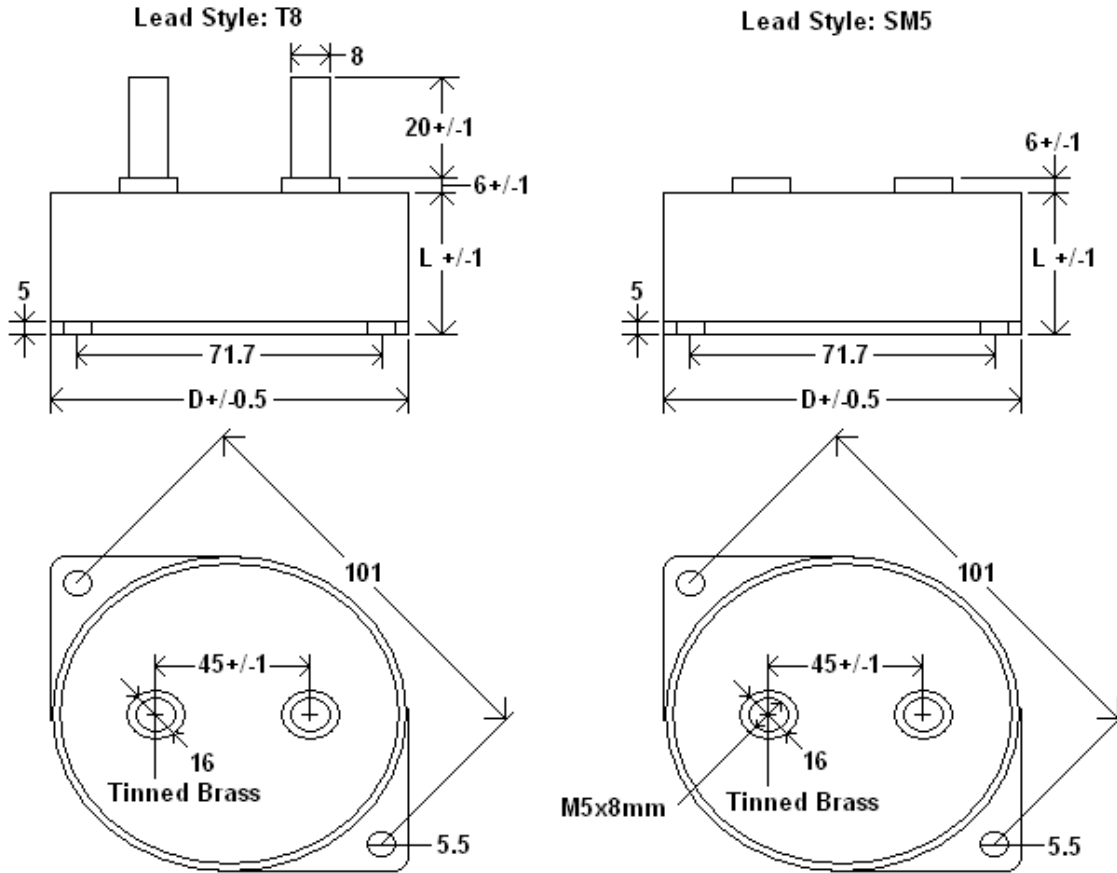


Asia  
Phone: 852-2793-0931  
Email: cdeasia@cde.com

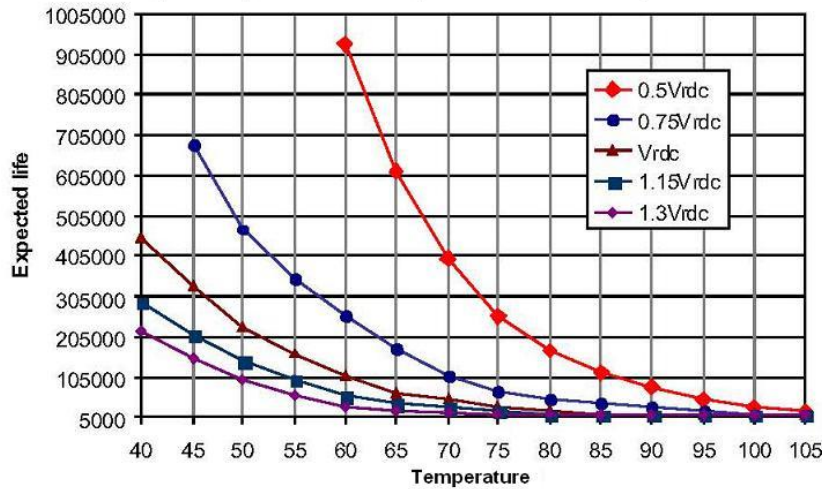
Sep-20



### Lead style



Hotspot temperature vs expected life with respect to % Vdc



# MPTS

Metallized Polypropylene  
round tube with screw  
terminals

WVDC	Capacitance ( $\mu\text{F}$ )	IC PART NUMBER	Resonant Frequency (kHz)	Maximum RMS Ripple Current (A) 10 kHz, +70°C	Typical ESR ( $\text{m}\Omega$ ) 1 kHz, +25°C	Thermal Resistance (°C/W)	Dims DxL (mm)
800	100	<a href="#">107MPTS800KHA#</a>	0	74	0.5	23	85x40
800	160	<a href="#">167MPTS800KHA#</a>	0	73	0.8	24	85x51
800	220	<a href="#">227MPTS800KHB#</a>	0	72	1	21	85x64
1000	66	<a href="#">666MPTS102KHA#</a>	0	70	0.6	21	85x40
1000	100	<a href="#">107MPTS102KHA#</a>	0	68	0.8	22	85x51
1000	140	<a href="#">147MPTS102KHB#</a>	0	65	1	23	85x64
1200	47	<a href="#">476MPTS122KHA#</a>	0	67	0.7	22	85x40
1200	70	<a href="#">706MPTS122KHA#</a>	0	65	1	22	85x51
1200	100	<a href="#">107MPTS122KHB#</a>	0	64	1.3	24	85x64
1400	33	<a href="#">336MPTS142KHA#</a>	0	64	0.8	21	85x40
1400	52	<a href="#">526MPTS142KHA#</a>	0	60	1.1	24	85x51
1400	70	<a href="#">706MPTS142KHB#</a>	0	59	1.4	22	85x64